

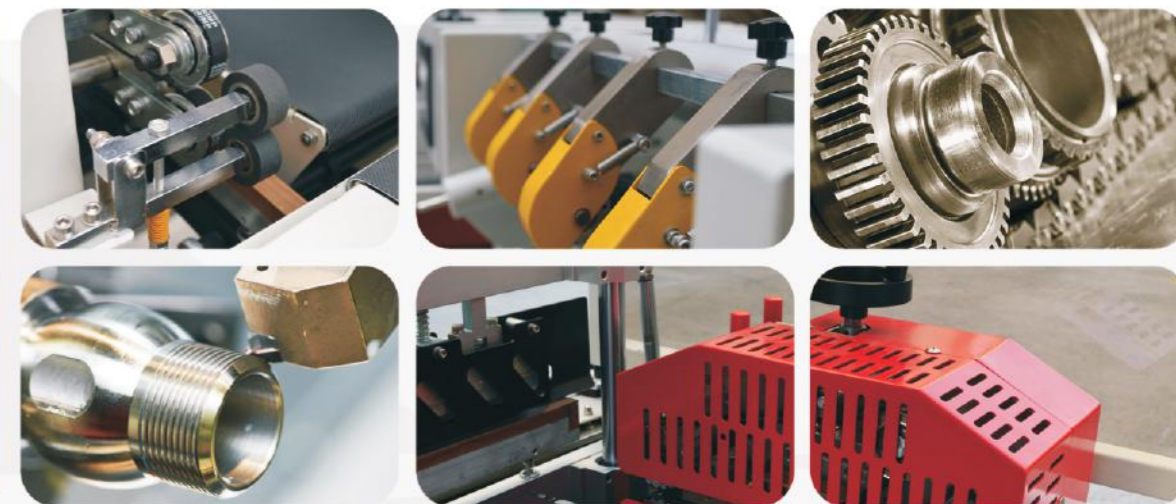


全自动热收缩包装流水线专业制造商

Professional manufacturer of fully automatic heat shrinkable packaging line

 **上海承企机械有限公司**
SHANGHAI CHENGQI PACKING MACHINERY CO.,LTD

创新是我们前进的动力



行思若水 / 质量为先 / 坚守承诺 / 缔造品质



上海承企机械有限公司

SHANGHAI CHENGQI PACKING MACHINERY CO.,LTD

地址：上海市松江区九亭镇九新公路688号

电话：021-5785 6563 / 6762 6010 / 6769 8527

传真：021-5785 6563

网址：www.shcqjx.com

外贸部 International Trade Department

ADD : No.688 Jiuxin Highway, Jiuting Town, Songjiang District, Shanghai

Tel : 021-6769 8527

Cell/WhatsApp/Wechat : +86-18917318527

Http : www.chpacker.com

E-mail:mark@shcqjx.com

SHANGHAI·CHINA



公司简介/Company Introduction

上海承企机械有限公司成立于2010年，位于上海市松江区，是一家专业的全自动热收缩包装设备的生产厂家。我司主要研发、生产自动化套膜收缩包装设备，提供包装解决方案。公司以“专注品质，用心服务”为核心价值，希望通过我们的专业水平和不懈努力，为更多的客户提供性能优越的包装设备以及优质的售后服务。

如今，承企不但为国内数千家企业提供了全自动套膜收缩包装设备，也不断的将我们的足迹走到了世界各地。通过不断的技术革新和创造，我司主打产品不但拥有：L型封切机、边封式封切机、袖口式封切机、双边封切机、移刀式封切机等封切收缩设备，还包括自动化包装流水线、智能码垛机器人整合等后道包装智能装备。

我司在不断追求品质和完善细节的过程中，已积累了丰富的包装机械设计、自动化控制和生产制造的宝贵经验。多年来更是吸纳了大量高科技设计人员、自动化控制工程师等优秀人才，生产中更是采用德国、瑞士、意大利、法国、日本、台湾等国家和地区的先进零配件及电气电子元件。同时我们优化内部结构，提升生产效率，降低生产成本，努力提升产品性价比，让客户获得更大的利益。

承企原则：行思若水,质量为先。

承企精神：勤于沟通,以诚相待。

承企标准：坚守承诺,缔造品质。

Shanghai ChengQi Packing Machinery Co., Ltd. was established in 2010, located in Songjiang District, Shanghai, China. A professional manufacturer of fully automatic heat shrink packaging equipment. We mainly research and development, production automatic shrink film packaging equipment and provide packaging solutions. "Focus on quality, service attentively" as our core value. Hope through our professional level and unremitting efforts to provide customer superior performance packaging equipment and quality after sales service.

Today, ChengQi not only provides fully automatic shrink packaging equipment for thousands of domestic enterprises, but also continues to develop overseas markets. Through continuous technological innovation and creation, Our main products include L bar shrink wrapping machine, Side shrink wrapping machine, sleeve shrink wrapping machine, double side shrink wrapping machine, Continuous motion shrink wrapping machine, automated packaging assembly line, intelligent palletizing robot and other intelligent packaging equipment, etc.

Company constants pursuit quality and detail, has accumulated a wealth of packing machine design, automation control and manufacturing experience. Over the years absorbed a large number of high-tech designers, automation control engineers and other talents. In the production adopts advanced spare parts and electronic components from Germany, Switzerland, Italy, France, Japan, Taiwan and other countries and regions. At the same time we optimize internal structure, improve production efficiency, reduce production costs and strive to manufacture cost-effective products which make customers get more benefits.

Principle : Detail oriented, Quality first.

Spirit: Communication diligent, Treat truthful.

Standard: Adhere commitment, Create quality.

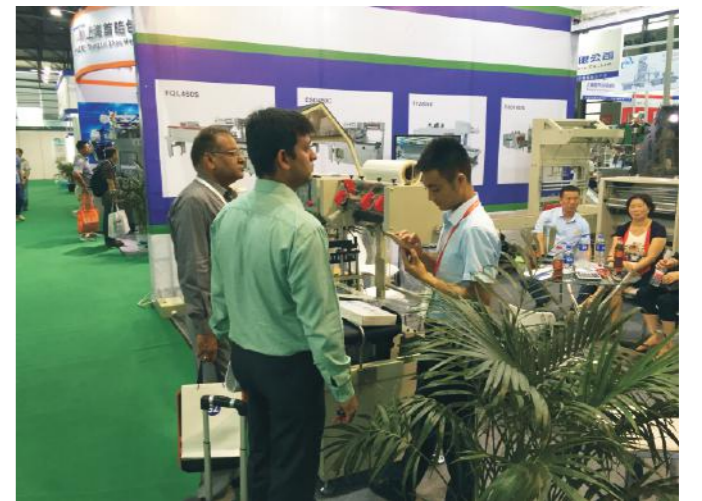
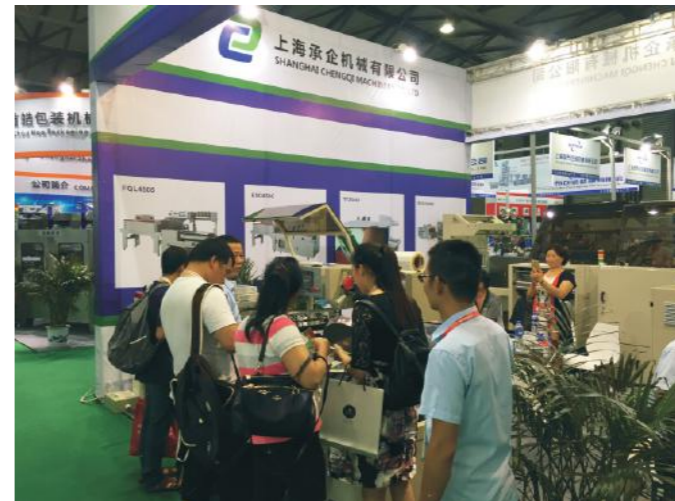
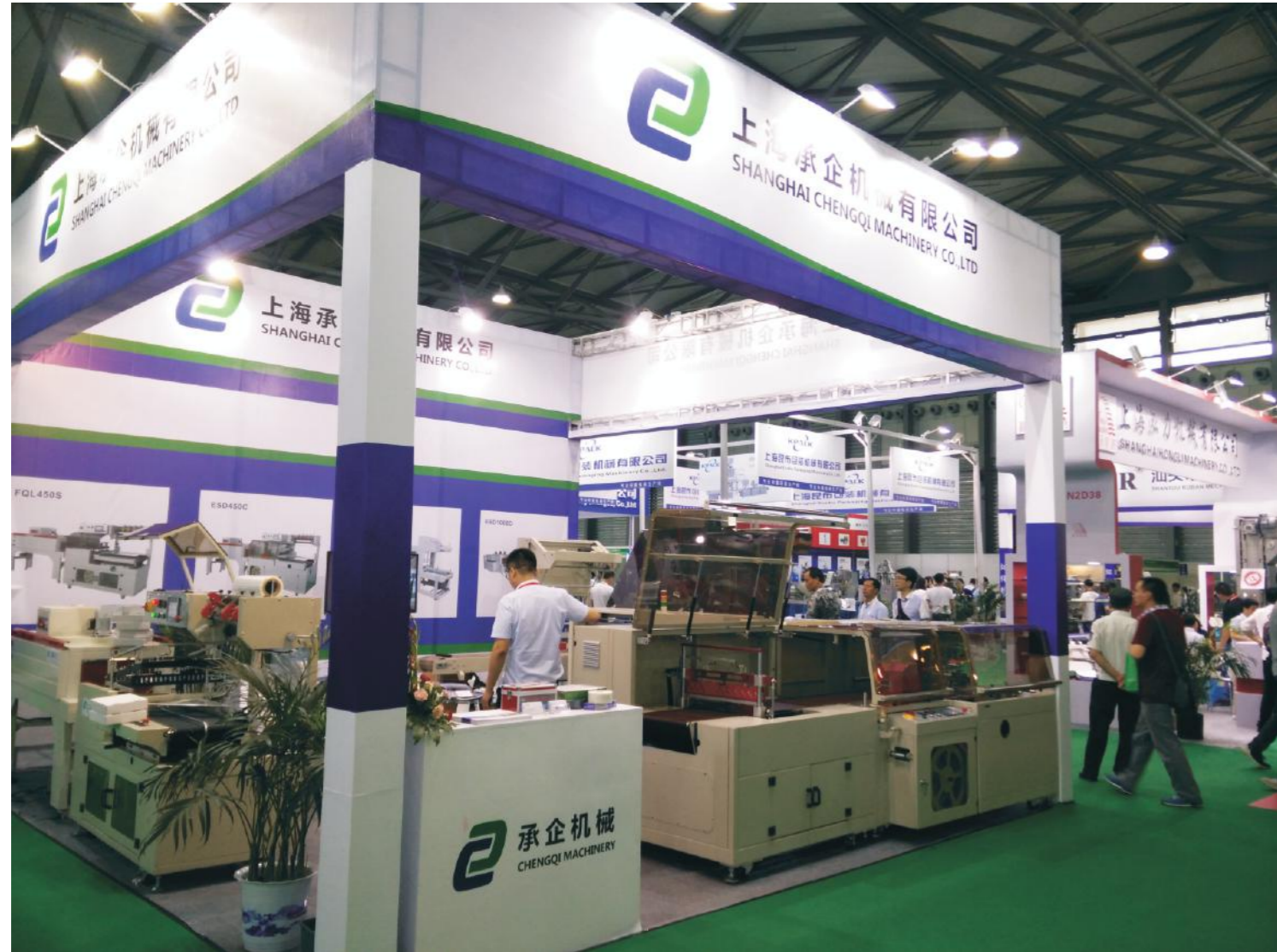
承企寄语：
承质而运，企迹开来！

供应商 Main Supplier



客户列表 Main Customers







GS350



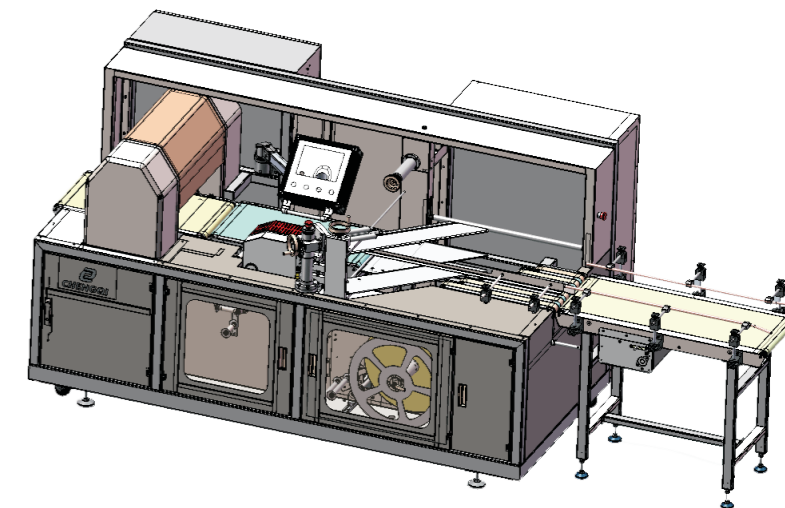
产品特点/Product Features

- 本机采用先进的固定式边封机构且边封前置，高速运行过程稳定、顺畅、不断膜。
- 采用进口温控器，内置PID功能，封刀温度极为灵敏与精确，可随意设定。
- 设计由伺服电机驱动滚动式横封系统，实现高效精准的移动封切。
- 具有自动故障监测功能，各种报警信息都将显示在人机界面上。
- 电动调节横封机构高度，操作简单、便捷。
- 具有高速包装和连续不间断套膜封切的特点。
- 采用进口光电传感器，定位准确，响应速度快。
- 采用松下PLC可编程控制器和威纶通7寸人机界面，操作简单。
- 封刀机构带有自动保护功能，有效防止误切包装物和保障人员安全。
- 自动模式和手动模式可随时切换选择，方便更换包装膜。
- 整套设备可实现和生产线的无缝连接。
- 适用于日用品、食品、化妆品、制药、五金等行业的大批量包装。

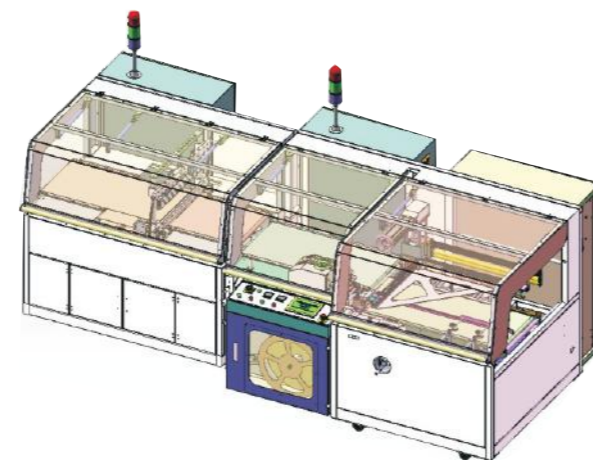
- Patented rotary cross seal motion for smooth high speed performance.
- Four Servo motors for high speed accuracy and repeatability.
- With the function of automatic film feeding punching, coating, sealing cutting, waste film automatically rolling in one time which is widely used in mass production packaging line. Can be connected with production line.
- The feeding product detected by sensor to prevent running empty bags.
- The sealing part is consist of transverse sealing and side sealing, both can be lifting controlled independently. We can guarantee sealing line in the middle of the product to achieve perfect sealing effect.
- The transverse sealing part is controlled by servo motor. Film cutting is uniform strength, sealing stable and fast.
- Manual adjustment film-guide system and feeding conveyor platform make the machine suitable for different width and height items.
- Side sealing part can continuous pull film sealing and cutting.
- According to the preset formula of the product, it can be quickly retrieved in the touch screen, which reduces the product replacement time and makes the operation easier.
- Waste film automatically rolling. Using independent motor control, rolling speed uniform and smooth will not too tight or too loose which can avoid break the waste film and the rewinding plate is easy disassembly.
- Using digital temperature controller which built-in PID function. Sealing blade temperature is extremely sensitive and accurate which can be set arbitrarily.
- Adopt Panasonic PLC programmable controller and WEINVIEW 7-inch man machine interface, simple operation.

技术参数/Machine parameter

设备型号	Model	GS350
工作电源	Power Supply	AC 380V 3PH 50Hz
工作功率	Power	5KW
最大包装尺寸	Max. Package Size	(L)100-380mm ; (W)≤50-300mm ; (H)<150mm
封口尺寸	Sealing Size	(W)500mm
台面高度	Table Height	800mm
包装速度	Packing Speed	60~100pcs/min
使用气源	Air Source	6kg/cm ²
使用薄膜	Shrink Film	POF
薄膜尺寸	Film Size	(W)≤580mm ; (D)≤250mm ; (G)≤35KG
封切形式	Sealing Type	Fully closed
机械尺寸	Machine Size	(L)2700×(W)1550×(H)1320mm
包装尺寸	Package Size	(L)2800×(W)1650×(H)1550mm
毛净重量	G./N. Weight	1100/1000KG



ESD4015M



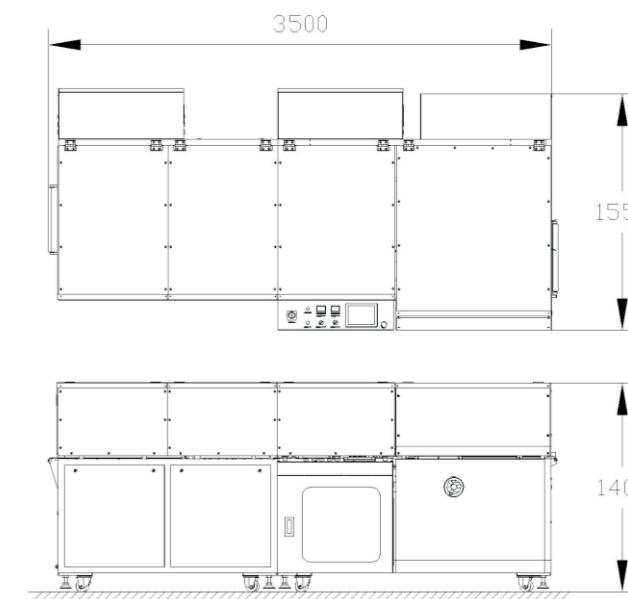
产品特点/Product Features

- 本机采用先进的固定式边封机构且边封前置，高速运行过程稳定、顺畅、不断膜。
- 采用进口温控器，内置PID功能，封刀温度极为灵敏与精确，可随意设定。
- 设计由伺服电机驱动往复横封系统，实现高效精准的移动封切。
- 具有自动故障监测功能，各种报警信息都将显示在人机界面上。
- 电动调节横封机构高度，操作简单、便捷。
- 具有高速包装和连续不间断套膜封切的特点。
- 采用进口光电传感器，定位准确，响应速度快。
- 采用松下PLC可编程控制器和威纶通7寸人机界面，操作简单。
- 封刀机构带有自动保护功能，有效防止误切包装物和保障人员安全。
- 自动模式和手动模式可随时切换选择，方便更换包装膜。
- 整套设备可实现和生产线的无缝连接。
- 适用于日用品、食品、化妆品、制药、五金等行业的大批量包装。

- ESD4015M is fully automatic continuous motion sealer with high speed packaging and continuous sealing features.
- The use of advanced fixed side sealing mechanism and side sealing front design, the operation process is stable, smooth, it will not break the film.
- Servo motor driven achieved efficient and accurate continuous motion sealing.
- With automatic fault monitoring function, a variety of alarm information will be displayed on the man-machine interface.
- Electrical control of the Transverse sealing height, simple operate, convenient.
- Using imported digital temperature controller which built-in PID function. Sealing blade temperature is extremely sensitive and accurate which can be set arbitrarily.
- Imported photoelectric sensor, positioning accuracy, fast response.
- Adopt Panasonic PLC programmable controller and WEINVIEW 7-inch man machine interface, simple operation.
- The sealing blade itself is also quipped with automatic protection function which effectively prevent from accidental cutting.
- Automatic mode and manual mode can be switched at any time which convenient to replace the shrink film.
- The entire machine realizes unmanned operation with the production line connecting.
- Suitable for daily necessities, food, cosmetics, pharmaceuticals, hardware and other large quantities of packaging industries.

技术参数/Machine parameter

设备型号	Model	ESD4015M
工作电源	Power Supply	AC 380V 3PH 50Hz
工作功率	Power	5.5KW
最大包装尺寸	Max. Package Size	(L)Unlimited ; (W+H)≤450mm ; (H)≤120mm
封口尺寸	Sealing Size	(W)600mm
台面高度	Table Height	800mm
包装速度	Packing Speed	40~60pcs/min
使用气源	Air Source	6kg/cm ²
使用薄膜	Shrink Film	POF
薄膜尺寸	Film Size	(W)≤600mm ; (D)≤250mm ; (G)≤35KG
封切形式	Sealing Type	Fully closed
机械尺寸	Machine Size	(L)3500×(W)1550×(H)1400mm
包装尺寸	Package Size	(L)3550×(W)1650×(H)1550mm
毛净重量	G./N. Weight	1600/1500KG



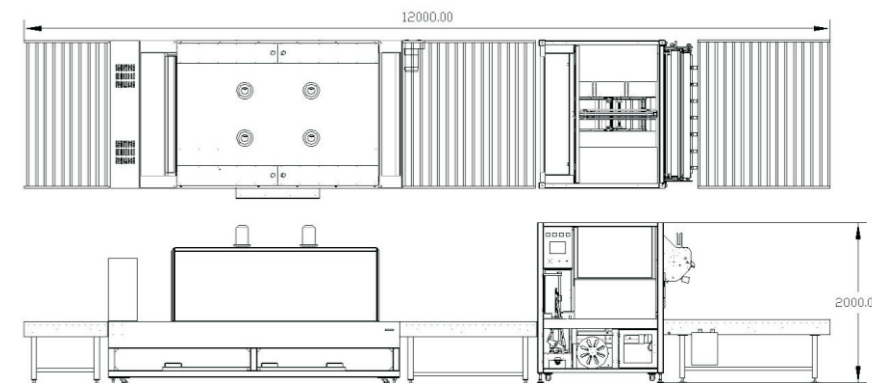
ESD1000D



产品特点/Product Features

- 采用上下各一卷单层膜设计，对产品的长度没有限制，特别适合较大尺寸及较重产品的全封闭包装，如门板、地板、玻璃、石膏板等。
- 采用双边封机构且边封前置设计，运行过程稳定、顺畅、不断膜。
- 具有自动故障监测功能，各种报警信息都将显示在人机界面上。
- 电动调节横封机构高度，操作简单、便捷，适应不同高度产品。
- 采用进口温控器，内置PID功能，封刀温度极为灵敏与精确，可随意设定。
- 采用进口光电传感器，定位准确，响应速度快。
- 采用松下PLC可编程控制器和威纶通7寸人机界面，操作简单。
- 封刀机构带有自动保护功能，有效防止误切包装物和保障人员安全。
- 自动模式和手动模式可随时切换选择，方便更换包装膜。
- 整套设备可实现和生产线的无缝连接。

- ESD1000D is fully automatic double side sealer, it has up & down single film rollers, no limits of the item length make it particularly suitable for longer, wider and heavy products fully closed packaging, such as doors, flooring, glass, gypsum board.
- The use of double sealing mechanism and side sealing front design, the operation process is stable, smooth, it will not break the film.
- With automatic fault monitoring function, a variety of alarm information will be displayed on the man-machine interface.
- Electrical control of the Transverse sealing height, simple operate, convenient, adapt to different height products.
- Using imported digital temperature controller which built-in PID function. Sealing blade temperature is extremely sensitive and accurate which can be set arbitrarily.
- Imported photoelectric sensor, positioning accuracy, fast response.
- Adopt Panasonic PLC programmable controller and WEINVIEW 7-inch man machine interface, simple operation.
- The sealing blade itself is also quipped with automatic protection function which effectively prevent from accidental cutting.
- Automatic mode and manual mode can be switched at any time which convenient to replace the shrink film.
- The entire machine realizes unmanned operation with the production line connecting.



技术参数/Machine parameter

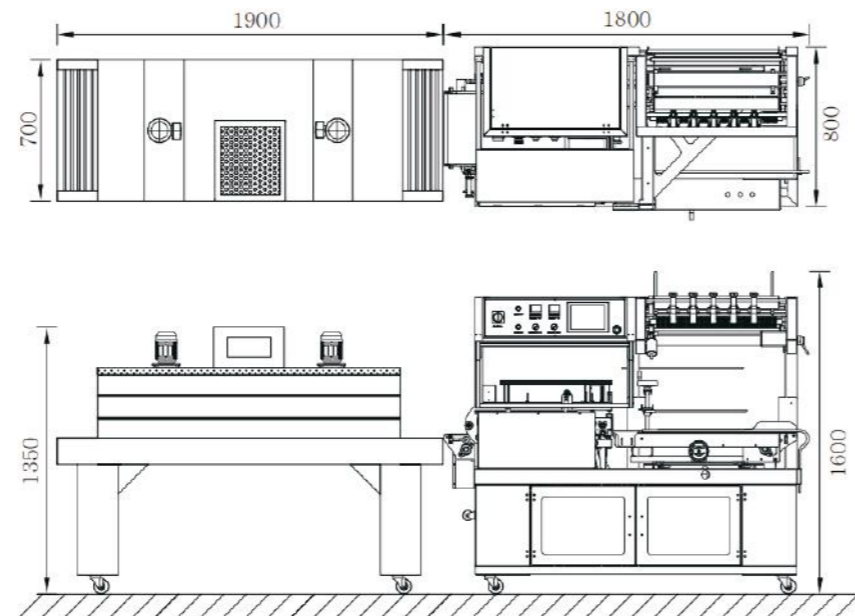
设备型号	Model	ESD1000D
工作电源	Power Supply	380V 3PH 50Hz
工作功率	Power	4.5KW
最大包装尺寸	Max. Packing Size	(L) unlimited ; (W+H) < 1000mm ; (H) < 300mm
封口尺寸	Sealing Size	(W)1000mm
台面高度	Table Height	800mm
包装速度	Packing Speed	1~10pcs/min
使用气源	Air Source	6kg/cm ²
使用薄膜	Shrink Film	POF / PE
薄膜尺寸	Film Size	(W)≤1100mm ; (D)≤250mm ; (G)≤45KG
封切形式	Sealing Type	Fully closed
机械尺寸	Machine Size	(L)2500×(W)1800×(H)2000mm
包装尺寸	Package Size	(L)2550×(W)1900×(H)2150mm
毛净重量	G./N. Weight	1300/1200KG

设备型号	Model	BS10040PE
工作电源	Power Supply	AC 380V 3PH 50Hz
工作功率	Power	36KW
台面高度	Table Height	800+50mm
输送载重	Conveying Load	80KG
输送速度	Conveyor Speed	1-15m/min
炉道尺寸	Tunnel Size	(L)2500×(W)1000×(H)400mm
机械尺寸	Machine Size	(L)3500×(W)1400×(H)1750mm
包装尺寸	Package Size	(L)3550×(W)1500×(H)1900mm
毛净重量	G./N. Weight	1300/1200KG

FQL450S+BS4522N

产品特点/Product Features

- 广泛用于批量生产包装的流水作业，工作效率高。
 - 可定制密接功能，适合包装小规格产品。
 - 采用活动式打孔器，可任意切换打孔位置和控制针孔数量。
 - 采用日本大金特弗龙涂层抗粘耐高温特制钢刀，封口不会开裂，不会焦化、不冒烟。
 - 采用数显温控器，内置PID功能，封刀温度极为灵敏与精确，可随意设定。
 - 采用进口光电传感器，定位准确，响应速度快。
 - 采用松下PLC可编程控制器和威纶通7寸人机界面，操作简单。
 - 手动调节导膜系统及进料输送平台，可适应不同宽度及高度的产品。
 - 配有自动回收边料机构，内置断膜报警功能。
 - 封刀机构带有自动保护功能，有效防止误切包装物和保障人员安全。
 - 自动模式和手动模式可随时切换选择，方便更换包装膜。
 - 整套设备可实现和生产线的无缝连接。
 - 适用于日用品、食品、化妆品、制药、五金等行业的热收缩包装。
- For automatic L bar sealer we have standard and high speed two type.
- High speed L bar sealer with servo motor drive the sealing cutter and electrically adjusts the stroke of the sealing cutter. Packaging efficiency reaches 45 bags / min. And the machine doesn't need to use air source to reduce noise and save cost.
- Adopt Panasonic PLC programmable controller and 7-inch touch screen.
- Using Panasonic photoelectric sensor.
- Automatic recycling of waste film, built-in film breaking alarm function.
- With movable puncher, which can switch the punching position and control the number of pinholes.
- Adopt imported Teflon coating anti-stick and high temperature special steel knife.
- Adopt digital temperature controller with built-in PID function, the temperature of sealing knife is extremely sensitive and accurate, and can be set at will.
- The sealing blade itself is also quipped with automatic protection function which effectively prevent from accidental cutting..
- Auto mode and manual mode can be switched at any time, which is convenient to replace the film.
- Manual adjustment of the film guide system and the feeding and conveying platform can adapt to products of different widths and heights.
- Widely used in the assembly line of mass production and packaging, with high work efficiency.
- It can be customized with the kissing type conveyor, which is special for small-sized products.
- The whole set of equipment can be seamlessly connected with the production line.
- Apply to daily necessities, food, cosmetics, pharmaceutical, hardware and other industries shrinking packaging.



技术参数/Machine parameter

设备型号	Model	BS4522N
工作电源	Power Supply	AC 380V 3PH 50Hz
工作功率	Power	12KW
台面高度	Table Height	780+50mm
输送载重	Conveying Load	30KG
输送速度	Conveyor Speed	1-15m/min
炉道尺寸	Tunnel Size	(L)1500×(W)450×(H)220mm
机械尺寸	Machine Size	(L)1910×(W)700×(H)1320mm
包装尺寸	Package Size	(L)2050×(W)800×(H)1530mm
毛净重量	G./N. Weight	250/200KG



技术参数/Machine parameter

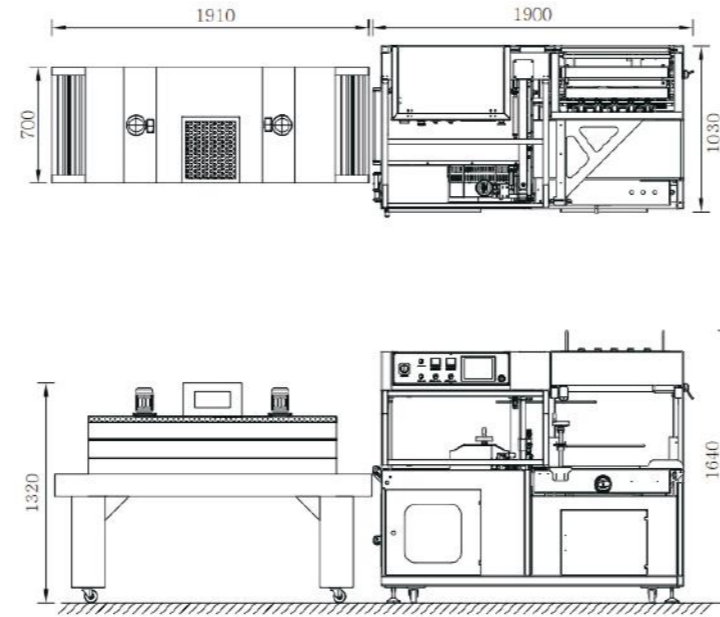
设备型号	Model	FQL450S	FQL450G	FQL550S
工作电源	Power Supply	AC 220V 1PH 50Hz	AC 220V 1PH 50Hz	AC 220V 1PH 50Hz
工作功率	Power	1.8KW	1.8KW	2.2KW
最大包装尺寸	Max. Packing Size	(L+H) < 500mm;(W+H) < 430mm;(H) < 130mm	(L+H) < 500mm;(W+H) < 430mm;(H) < 150mm	(L+H) < 600mm;(W+H) < 550mm;(H) < 150
封口尺寸	Sealing Size	(L)550×(W)450mm	(L)550×(W)450mm	(L)650×(W)550mm
台面高度	Table Height	800mm	800mm	800mm
包装速度	Packing Speed	15~30pcs/min	30~45pcs/min	15~30pcs/min
使用气源	Air Source	6kg/cm2	/	6kg/cm2
使用薄膜	Shrink Film	POF	POF	POF
薄膜尺寸	Film Size	(W)≤550mm ; (D)≤250mm ; (G)≤35KG	(W)≤550mm ; (D)≤250mm ; (G)≤35KG	(W)≤650mm ; (D)≤250mm ; (G)≤35KG
封切形式	Sealing Type	L type fully closed	L type fully closed	L type fully closed
机械尺寸	Machine Size	(L)1800×(W)800×(H)1600mm	(L)1800×(W)800×(H)1600mm	(L)2000×(W)950×(H)1600mm
包装尺寸	Package Size	(L)2050×(W)950×(H)1680mm	(L)2050×(W)950×(H)1680mm	(L)2250×(W)1100×(H)1680mm
毛净重量	G./N. Weight	400/320KG	400/320KG	550/450KG

ESD450C+BS4522N

产品特点/Product Features

- ESD450C全自动边封式封切机，能一次性完成自动送膜打孔、套膜封切、卷取废料的功能，广泛应用于批量生产包装的流水作业。
- 封口机构由横封、边封两部分组成，两者都能独立升降调节，确保封口线在产品中间位置，封口线牢固、美观，达到完美封口效果。
- 手动调节导膜系统及进料输送平台，可适应不同宽度及高度的产品。
- 边封机构可连续拉膜封切，产品长度不受限制。
- 送膜长度由光电传感器和定时器联合控制，精确控制胶膜长度，便于控制收缩效果。
- 废料自动卷取，采用单独马达控制，卷取速率均匀平稳不会过紧过松，避免拉断废料，收料盘拆取方便。
- 采用松下PLC可编程控制器和威纶通7寸人机界面，操作简单。
- 封刀机构带有自动保护功能，有效防止误切包装物和保障人员安全。
- 自动模式和手动模式可随时切换选择，方便更换包装膜。
- 整套设备可实现和生产线的无缝连接。
- 适用相框、画框、地板、铝型材、木制品等产品包装。

- ESD-450C is a fully automatic side sealer machine with the function of automatic film feeding punching, coating, sealing cutting, waste film automatically rolling in one time which is widely used in mass production packaging line with high efficiency.
- The sealing part is consist of transverse sealing and side sealing, both can be lifting controlled independently. We can guarantee sealing line in the middle of the product to achieve perfect sealing effect.
- Manual adjustment film-guide system and feeding conveyor platform make the machine suitable for different width and height items.
- Side sealing part can continuous pull film sealing and cutting, the product length is unlimited.
- Feeding length controls through a combination of electric eye detection and time relay to control precise film length that makes it easier to control the contraction effect.
- Waste film automatically rolling. Using independent motor control, rolling speed uniform and smooth will not too tight or too loose which can avoid break the waste film and the rewinding plate is easy disassembly.
- Adopt Panasonic PLC programmable controller and WEINVIEW 7-inch man machine interface, simple operation.
- The sealing blade itself is equipped with automatic protection function which effectively prevent from accidental cutting.
- Automatic mode and manual mode can be switched at any time which convenient to replace the shrink film.
- The entire machine realizes unmanned operation with the production line connecting.
- Applies to photo frame, picture frame, flooring, aluminum profile, wood products and other products packaging.



技术参数/Machine parameter

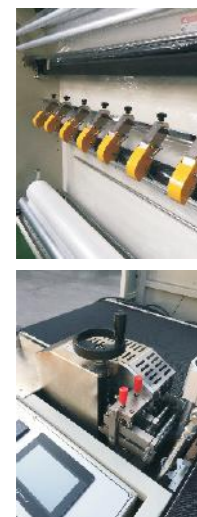
设备型号	Model	BS4522N
工作电源	Power Supply	AC 380V 3PH 50Hz
工作功率	Power	12KW
台面高度	Table Height	780+50mm
输送载重	Conveying Load	30KG
输送速度	Conveyor Speed	1-15m/min
炉道尺寸	Tunnel Size	(L)1500×(W)450×(H)220mm
机械尺寸	Machine Size	(L)1910×(W)700×(H)1320mm
包装尺寸	Package Size	(L)2050×(W)800×(H)1530mm
毛净重	G./N. Weight	250/200KG



技术参数/Machine parameter

型号	Model	ESD450C	ESD800C
电源	Power Supply	AC 380V 3PH 50Hz	AC 380V 3PH 50Hz
功率	Power	1.5KW	2.5KW
最大包装尺寸	Max. Packing Size	(L)unlimited;(W+H) < 430mm; (H) < 180mm	(L)unlimited;(W+H) < 800mm; (H) < 180mm
封口尺寸	Sealing Size	(W)450mm	(W)800mm
台面高度	Table Height	800mm	800mm
包装速度	Packing Speed	15 ~ 30pcs/min	15 ~ 30pcs/min
使用气源	Air Source	6kg/cm2	6kg/cm2
使用薄膜	Shrink Film	POF/PE	POF/PE
薄膜尺寸	Film Size	(W)≤550mm ; (D)≤250mm ; (G)≤35KG	(W)≤850mm ; (D)≤250mm ; (G)≤35KG
封切形式	Sealing Type	Fully closed	Fully closed
机械尺寸	Machine Size	(L)1900×(W)1030×(H)1640mm	(L)2250×(W)1300×(H)1550mm
包装尺寸	Package Size	(L)2000×(W)1100×(H)1700mm	(L)2300×(W)1400×(H)1700mm
毛净重量	G./N. Weight	600/515KG	900/800KG

ESD600G

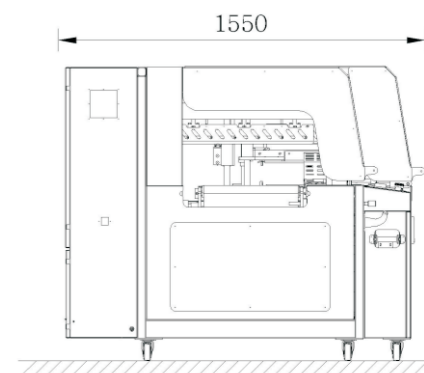
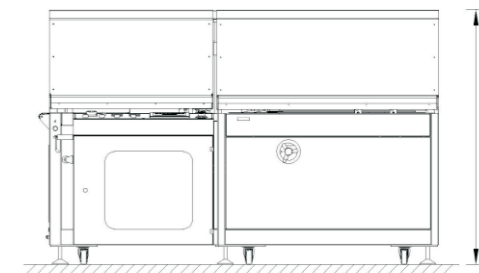


产品特点/Product Features

- 能一次性完成自动送膜打孔、套膜封切、卷取废料的功能，特别适用于大批量生产包装的流水作业，可对接产线工作。
- 封口机构由横封、边封两部分组成，两者都能独立升降调节，确保封口线在产品中间位置，封口线牢固、美观，达到完美封口效果。
- 横封机构采用伺服电机控制，切膜力度均匀稳定封口牢固、速度快。
- 手动调节导膜系统及进料输送平台，可适应不同宽度及高度的产品。
- 边封机构可连续拉膜封切，产品长度不受限制。
- 送膜长度经由电眼和定时器组合控制，精确控制胶膜长度，便于控制收缩效果。
- 废料自动卷取，采用单独马达控制，卷取速率均匀平稳不会过紧过松，避免拉断废料，收料盘拆取方便。
- 采用数显温控器，内置PID功能，封刀温度极为灵敏与精确，可随意设定。
- 采用松下PLC可编程控制器和威纶通7寸人机界面，操作简单。
- 封刀机构带有自动保护功能，有效防止误切包装物和保障人员安全。
- 自动模式和手动模式可随时切换选择，方便更换包装膜。
- 适用相框、画框、地板、铝型材、木制品等产品包装。



- ESD600G is a fully automatic medium speed side sealer machine with the function of automatic film feeding punching, coating, sealing cutting, waste film automatically rolling in one time which is widely used in mass production packaging line.
- The sealing part is consist of transverse sealing and side sealing, both can be lifting controlled independently. We can guarantee sealing line in the middle of the product to achieve perfect sealing effect.
- The transverse sealing part is controlled by servo motor. Film cutting is uniform strength, sealing stable and fast.
- Manual adjustment film-guide system and feeding conveyor platform make the machine suitable for different width and height items.
- Side sealing part can continuous pull film sealing and cutting and product length is unlimited.
- Feeding length controls through a combination of electric eye detection and time relay to control precise film length that makes it easier to control the contraction effect.
- Waste film automatically rolling. Using independent motor control, rolling speed uniform and smooth will not too tight or too loose which can avoid break the waste film and the rewinding plate is easy disassembly.
- Using digital temperature controller which built-in PID function. Sealing blade temperature is extremely sensitive and accurate which can be set arbitrarily.
- Adopt Panasonic PLC programmable controller and WEINVIEW 7-inch man machine interface, simple operation.
- The sealing blade itself is also quipped with automatic protection function which effectively prevent from accidental cutting.
- Automatic mode and manual mode can be switched at any time which convenient to replace the shrink film.
- Applies to photo frame, picture frame, flooring, aluminum profile, wood products and other products packaging.



技术参数/Machine parameter

设备型号	Model	ESD600G	ESD800G
工作电源	Power Supply	AC 380V 3PH 50Hz	AC 380V 3PH 50Hz
工作功率	Power	3KW	3KW
最大包装尺寸	Max. Packing Size	(L)unlimited ; (W+H) < 530mm ; (H) < 250mm	(L)unlimited ; (W+H)≤730mm ; (H) < 250mm
封口尺寸	Sealing Size	(W)600mm	(W)800mm
台面高度	Table Height	800mm	800mm
包装速度	Packing Speed	30~40pcs/min	30~40pcs/min
使用气源	Air Source	6kg/cm2	6kg/cm2
使用薄膜	Shrink Film	POF	POF
薄膜尺寸	Film Size	(W)≤650mm ; (D)≤250mm ; (G)≤35KG	(W)≤850mm ; (D)≤250mm ; (G)≤35KG
封切形式	Sealing Type	Fully closed	Fully closed
机械尺寸	Machine Size	(L)2060×(W)1510×(H)1305mm	(L)2250×(W)1850×(H)1305mm
包装尺寸	Package Size	(L)2100×(W)1650×(H)1550mm	(L)2300×(W)1950×(H)1550mm
毛净重量	G./N. Weight	820/745KG	1100/1000KG

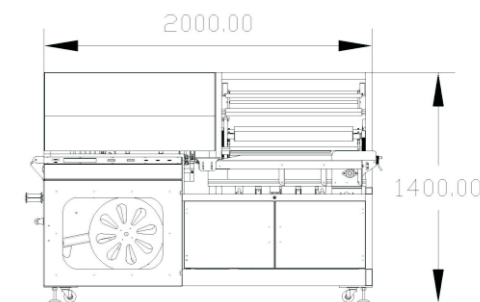
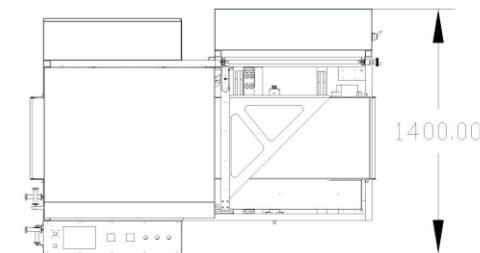
FQL450V



产品特点/Product Features

- 广泛用于批量生产包装的流水作业，工作效率高。可定制密接功能，适合包装小规格产品。
- 封口系统采用垂直驱动，克服普通L型封切机包装高度有限的缺点，兼容性更好。
- 采用活动式打孔器，可任意切换打孔位置和控制针孔数量。
- 采用日本大金特弗龙涂层抗粘耐高温特制钢刀，封口不会开裂，不会焦化、不冒烟。
- 采用数显温控器，内置PID功能，封刀温度极为灵敏与精确，可随意设定。
- 采用进口光电传感器，定位准确，响应速度快。
- 采用松下PLC可编程控制器和威纶通7寸人机界面，操作简单。
- 手动调节导膜系统及进料输送平台，可适应不同宽度及高度的产品。
- 配有自动回收边料机构，内置断膜报警功能。
- 封刀机构带有自动保护功能，有效防止误切包装物和保障人员安全。
- 自动模式和手动模式可随时切换选择，方便更换包装膜。
- 整套设备可实现和生产线的无缝连接。
- 适用于日用品、食品、化妆品、制药、五金等行业的热收缩包装。

- FQL450V is fully automatic vertical L bar sealer which is widely used in mass production packaging line with high efficiency. With closely connecting function which is specially designed for small items.
- Sealing system adopts vertical drive to overcome the general L type sealer machine shortcoming of packaging height limited, better compatibility.
- With movable type punching device, you can switch the punching position and control the pinholes number.
- Sealing knife uses the special steel knife with Daikin Teflon which is anti-stick coating & anti-high temperature. So the sealing will not have cracking, coking and smoking with zero pollution.
- Using digital temperature controller which built-in PID function. Sealing blade temperature is extremely sensitive and accurate which can be set arbitrarily.
- Imported photoelectric sensor, positioning accuracy, fast response.
- Adopt Panasonic PLC programmable controller and WEINVIEW 7-inch man machine interface, simple operation.
- Manual adjustment film guide system and feeding conveyor platform make the machine suitable for different width and height items.
- Equipped with automatic scrap recycling mechanism, built-in film broken alarm function.
- The sealing blade itself is also equipped with automatic protection function which effectively prevent from accidental cutting.
- Automatic mode and manual mode can be switched at any time which convenient to replace the shrink film.
- The entire machine realizes unmanned operation with the production line connecting.
- Apply to daily necessities, food, cosmetics, pharmaceutical, hardware and other industries heat shrink packaging.



技术参数/Machine parameter

设备型号	Model	FQL450V	FQL650V
工作电源	Power Supply	AC 220V 1/3PH 50/60Hz	AC 220V 1/3PH 50/60Hz
工作功率	Power	1.8KW	2.5KW
最大包装尺寸	Max.Packing Size	(L+H) < 500mm ; (W+H) < 430mm ; (H) < 200mm	(L+H) < 700mm ; (W+H) < 630mm ; (H) < 200mm
封口尺寸	Sealing Size	(L)550×(W)450mm	(L)750×(W)650mm
台面高度	Table Height	800mm	800mm
包装速度	Packing Speed	15~30pcs/min	15~30pcs/min
使用气源	Air Source	6kg/cm ²	6kg/cm ²
使用薄膜	Shrink Film	POF/PE	POF/PE
薄膜尺寸	Film Size	(W)≤550mm ; (D)≤250mm ; (G)≤35KG	(W)≤750mm ; (D)≤250mm ; (G)≤35KG
封切形式	Sealing Type	L type fully closed	L type fully closed
机械尺寸	Machine Size	(L)1800×(W)1200×(H)1400mm	(L)2000×(W)1400×(H)1400mm
包装尺寸	Package Size	(L)1850×(W)1300×(H)1550mm	(L)2050×(W)1500×(H)1550mm
毛净重量	G./N. Weight	650/600KG	860/800KG

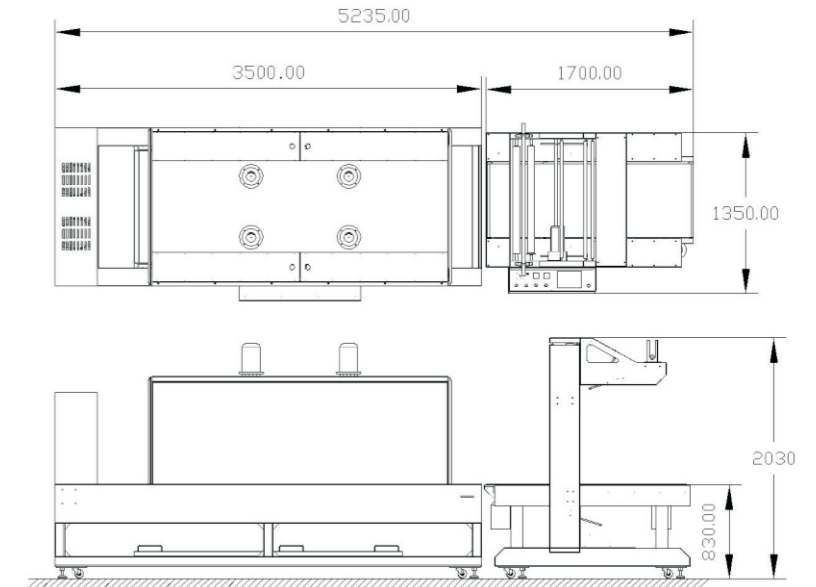
TFZ8040+BS8060PE

产品特点/Product Features

- 全自动袖口式套膜封切机采用直进直出设计，非常适合纸箱等较大物体的单个或集合的套膜包装。
- 采用美国杜邦特弗龙涂层抗粘耐高温特制钢刀，封口不会开裂，不会焦化、不冒烟。
- 采用进口光电传感器，定位准确，响应速度快。
- 采用松下PLC可编程控制器和威纶通7寸人机界面，操作简单。
- 独立的电气控制箱设计，方便操作人员的使用。
- 设备配有压料机构，对于较轻物体的包装也不会移位。
- 封刀机构带有自动保护功能，有效防止误切包装物和保障人员安全。
- 整套设备可实现和生产线的无缝连接。
- 自动模式和手动模式可随时切换选择，方便更换包装膜。
- PE膜热收缩机采用多热风循环电机，炉内热风均匀、温度恒定。
- 采用链杆式输送设计，实心钢杆外包进口硅胶管。
- 采用进口输送电机和进口变频器控制传送速度，实现无级调速。
- 独立外挂式配电箱设计，保证电箱内各电器元件通风良好。
- 自带冷风机构，起到有效降温的作用。



- Fully automatic straight feeding sleeve sealer adopts straight into and out design. Especially suitable for carton or larger items collection or single shrink wrapping.
- Sealing knife uses the special steel knife with Daikin Teflon which is anti-stick coating & anti-high temperature. So the sealing will not have cracking, coking and smoking.
- Imported photoelectric sensor, positioning accuracy, fast response.
- Adopt Panasonic PLC programmable controller and WEINVIEW 7-inch man machine interface, simple operation.
- The user-friendly control box makes the operation much easier.
- Equipped with pressure device makes sure the position is stable even for the light product during the procession.
- The sealing blade itself is also quipped with automatic protection function which effectively prevent from accidental cutting.
- The entire machine realizes unmanned operation with the production line connecting.
- Automatic mode and manual mode can be switched at any time which convenient to replace the shrink film.
- Heat shrink tunnel adopts multiple hot air circulation motor makes the hot air in the tunnel is even, constant temperature.
- The chain conveyor made of solid steel covered with imported durable silicone tube.
- Using frequency inverter controls transmission speed to achieved step less speed regulating.
- The separate control box makes sure the electrical components with good ventilation.
- With cold wind equipment which play an effective role in cooling.



技术参数/Machine parameter

设备型号	Model	TFZ8040
工作电源	Power Supply	AC 380V 3PH 50Hz
工作功率	Power	2KW
最大包装尺寸	Max. Packing Size	(W)≤600mm ; (H)≤380mm
封口尺寸	Sealing Size	(W)800mm
台面高度	Table Height	800mm
包装速度	Packing Speed	10-15pcs/min
使用气源	Air Source	6kgf/cm2
使用薄膜	Shrink Film	PE
薄膜尺寸	Film Size	(W)≤750mm ; (D)≤250mm ; (G)≤35KG
封切形式	Sealing Type	Sleeve type
机械尺寸	Machine Size	(L)1700×(W)1350×(H)2030mm
包装尺寸	Package Size	(L)1750×(W)1450×(H)2180mm
毛净重量	G./N. Weight	540/450KG

设备型号	Model	BS8060PE
工作电源	Power Supply	AC 380 3PH 50Hz
工作功率	Power	42KW
台面高度	Table Height	800+50mm
输送载重	Conveying Load	80KG
输送速度	Conveyor Speed	1-15m/min
炉道尺寸	Tunnel Size	2500×800×600mm
机械尺寸	Machine Size	3500×1200×1850mm
包装尺寸	Package Size	3550×1300×2000mm
毛净重量	G./N. Weight	1450/1300KG

TFZ6540+BS6040PE

产品特点/Product Features

- 袖口式套膜封切机采用直进直出设计，非常适合纸箱等较大物体的单个或集合的套膜包装。
- 采用美国杜邦特弗龙涂层抗粘耐高温特制钢刀，封口不会开裂，不会焦化、不冒烟。
- 采用进口光电传感器，定位准确，响应速度快。
- 采用松下PLC可编程控制器和威纶通7寸人机界面，操作简单。
- 独立的电气控制箱设计，方便操作人员的使用。
- 设备配有压料机构，对于较轻物体的包装也不会移位。
- 封刀机构带有自动保护功能，有效防止误切包装物和保障人员安全。
- 整套设备可实现和生产线的无缝连接。
- 自动模式和手动模式可随时切换选择，方便更换包装膜。
- PE热收缩机采用双热风循环电机，炉内热风均匀、温度恒定。
- 采用链杆式输送设计，实心钢杆外包优质硅胶管。
- 采用减速输送电机和电子调速控制传送速度，实现无级调速。
- 后置配电箱设计，保证电箱内各电器元件通风良好。
- 自带冷风机构，起到有效降温的作用。

技术参数/Machine parameter

设备型号	Model	TFZ6540
工作电源	Power Supply	AC 380V 3PH 50Hz
工作功率	Power	1.8KW
最大包装尺寸	Max. Packing Size	(W)≤400mm ; (H)≤380mm
封口尺寸	Sealing Size	(W)600mm
台面高度	Table Height	800mm
包装速度	Packing Speed	8-15pcs/min
使用气源	Air Source	6kgf/cm2
使用薄膜	Shrink Film	PE
薄膜尺寸	Film Size	(W)≤580mm ; (D)≤250mm ; (G)≤35KG
封切形式	Sealing Type	Sleeve type
机械尺寸	Machine Size	(L)1700×(W)1100×(H)2030mm
包装尺寸	Package Size	(L)1850×(W)1200×(H)2200mm
毛净重量	G./N. Weight	450/360KG



- Fully automatic straight feeding sleeve sealer adopts straight into and out design. Especially suitable for carton or larger items collection or single shrink wrapping.
- Sealing knife uses the special steel knife with Daikin Teflon which is anti-stick coating & anti-high temperature. So the sealing will not have cracking, coking and smoking.
- Imported photoelectric sensor, positioning accuracy, fast response.
- Adopt Panasonic PLC programmable controller and WEINVIEW 7-inch man machine interface, simple operation.
- The user-friendly control box makes the operation much easier.
- Equipped with pressure device makes sure the position is stable even for the light product during the procession.
- The sealing blade itself is also quipped with automatic protection function which effectively prevent from accidental cutting.
- The entire machine realizes unmanned operation with the production line connecting.
- Automatic mode and manual mode can be switched at any time which convenient to replace the shrink film.
- Heat shrink tunnel adopts two hot air circulation motor makes the hot air in the tunnel is even, constant temperature.
- The chain conveyor made of solid steel covered with durable silicone tube.
- Using Electronic speed control transmission speed to achieved step less speed regulating.
- The rear control box makes sure the electrical components with good ventilation.
- With cold wind equipment which play an effective role in cooling.

设备型号	Model	BS6040PE
工作电源	Power Supply	AC 380 3PH 50Hz
工作功率	Power	22KW
台面高度	Table Height	780+50mm
输送载重	Conveying Load	30KG
输送速度	Conveyor Speed	1-15m/min
炉道尺寸	Tunnel Size	1800×600×400mm
机械尺寸	Machine Size	2800×850×1620mm
包装尺寸	Package Size	2900×950×1710mm
毛净重量	G./N. Weight	540/450KG

TFZ6540+BS6040LPE

产品特点/Product Features

- 袖口式套膜封切机采用直进直出设计，非常适合纸箱等较大物体的单个或集合的套膜包装。
- 采用美国杜邦特弗龙涂层抗粘耐高温特制钢刀，封口不会开裂，不会焦化、不冒烟。
- 采用进口光电传感器，定位准确，响应速度快。
- 采用松下PLC可编程控制器和威纶通7寸人机界面，操作简单。
- 独立的电气控制箱设计，方便操作人员的使用。
- 设备配有压料机构，对于较轻物体的包装也不会移位。
- 封刀机构带有自动保护功能，有效防止误切包装物和保障人员安全。
- 整套设备可实现和生产线的无缝连接。
- 自动模式和手动模式可随时切换选择，方便更换包装膜。
- PE热收缩机采用双热风循环电机，炉内热风均匀、温度恒定。
- 采用链杆式输送设计，实心钢杆外包进口硅胶管。
- 采用进口减速输送电机和变频调速控制传送速度，实现无级调速。
- 顶置独立配电箱设计，保证电箱内各电器元件通风良好。
- 自带冷风机构，起到有效降温的作用。

技术参数/Machine parameter

设备型号	Model	TFZ6540
工作电源	Power Supply	AC 380V 3PH 50Hz
工作功率	Power	1.8KW
最大包装尺寸	Max. Packing Size	(W)≤400mm ; (H)≤380mm
封口尺寸	Sealing Size	(W)600mm
台面高度	Table Height	800mm
包装速度	Packing Speed	8-15pcs/min
使用气源	Air Source	6kgf/cm2
使用薄膜	Shrink Film	PE
薄膜尺寸	Film Size	(W)≤580mm ; (D)≤250mm ; (G)≤35KG
封切形式	Sealing Type	Sleeve type
机械尺寸	Machine Size	(L)1700×(W)1100×(H)2030mm
包装尺寸	Package Size	(L)1850×(W)1200×(H)2200mm
毛净重量	G./N. Weight	450/360KG



- Fully automatic straight feeding sleeve sealer adopts straight into and out design. Especially suitable for carton or larger items collection or single shrink wrapping.
- Sealing knife uses the special steel knife with Daikin Teflon which is anti-stick coating & anti-high temperature. So the sealing will not have cracking, coking and smoking.
- Imported photoelectric sensor, positioning accuracy, fast response.
- Adopt Panasonic PLC programmable controller and WEINVIEW 7-inch man machine interface, simple operation.
- The user-friendly control box makes the operation much easier.
- Equipped with pressure device makes sure the position is stable even for the light product during the procession.
- The sealing blade itself is also quipped with automatic protection function which effectively prevent from accidental cutting.
- The entire machine realizes unmanned operation with the production line connecting.
- Automatic mode and manual mode can be switched at any time which convenient to replace the shrink film.
- Heat shrink tunnel adopts two hot air circulation motor makes the hot air in the tunnel is even, constant temperature.
- The chain conveyor made of solid steel covered with imported durable silicone tube.
- Using frequency inverter controls transmission speed to achieved step less speed regulating.
- The above control box makes sure the electrical components with good ventilation.
- With cold wind equipment which play an effective role in cooling.

设备型号	Model	BS6040LPE
工作电源	Power Supply	AC 380 3PH 50Hz
工作功率	Power	22KW
台面高度	Table Height	780+50mm
输送载重	Conveying Load	40KG
输送速度	Conveyor Speed	1-15m/min
炉道尺寸	Tunnel Size	1800×600×400mm
机械尺寸	Machine Size	2800×850×1600mm
包装尺寸	Package Size	2900×950×1750mm
毛净重量	G./N. Weight	670/570KG

TF4015L+BS4525PE

产品特点/Product Features

- 小型袖口式套膜封切机采用侧进跌落式设计，适合圆盘类产品集合套膜包装。
- 采用美国杜邦特弗龙涂层抗粘耐高温特制钢刀，封口不会开裂，不会焦化、不冒烟。
- 采用进口光电传感器，定位准确，响应速度快。
- 采用松下PLC可编程控制器和威纶通7寸人机界面，操作简单。
- 独立的电气控制箱设计，方便操作人员的使用。
- 设备配有压料机构，对于较轻物体的包装也不会移位。
- 封刀机构带有自动保护功能，有效防止误切包装物和保障人员安全。
- 整套设备可实现和生产线的无缝连接。
- 自动模式和手动模式可随时切换选择，方便更换包装膜。
- PE热收缩机采用双热风循环电机，炉内热风均匀、温度恒定。
- 采用链杆式输送设计，实心钢杆外包进口硅胶管。
- 采用进口减速输送电机和变频调速控制传送速度，实现无级调速。
- 顶置独立配电箱设计，保证电箱内各电器元件通风良好。
- 自带冷风机构，起到有效降温的作用。

技术参数/Machine parameter

设备型号	Model	TF4015L
工作电源	Power Supply	AC 380V 3PH 50Hz
工作功率	Power	1.8KW
最大包装尺寸	Max. Packing Size	(L)≤250mm;(D)≤70mm;(H)≤100mm
封口尺寸	Sealing Size	(W)400mm
台面高度	Table Height	750mm
包装速度	Packing Speed	5-12pcs/min
使用气源	Air Source	6kgf/cm ²
使用薄膜	Shrink Film	PE
薄膜尺寸	Film Size	(W)≤350mm ; (D)≤200mm ; (G)≤20KG
封切形式	Sealing Type	Sleeve type
机械尺寸	Machine Size	(L)2650×(W)825×(H)1610mm
包装尺寸	Package Size	(L)2770×(W)920×(H)1650mm
毛净重量	G./N. Weight	360/250KG



- This machine is mainly applied to round cans/tapes shrink wrapping.
- TF4015L fully automatic sleeve sealer with side feeding design, suitable for lighter items of collection packaging.
- Sealing knife uses the special steel knife with Daikin Teflon which is anti-stick coating & anti-high temperature. So the sealing will not have cracking, coking and smoking.
- Imported photoelectric sensor, positioning accuracy, fast response.
- Adopt Panasonic PLC programmable controller and WEINVIEW 7-inch man machine interface, simple operation.
- The separate control box makes it easy to use for operator.
- Equipped with pressure device makes sure the position is stable even for the light product during the procession.
- The sealing blade itself is also quipped with automatic protection function which effectively prevent from accidental cutting.
- The entire machine realizes unmanned operation with the production line connecting.
- Automatic mode and manual mode can be switched at any time which convenient to replace the shrink film.
- BS4525PE heat shrink tunnel adopts two hot air circulation motor makes the hot air in the tunnel is even, constant temperature.
- The chain conveyor made of solid steel covered with imported durable silicone tube.
- The control box makes sure the electrical components with good ventilation.
- With cold wind equipment which play an effective role in cooling.

设备型号	Model	BS4525PE
工作电源	Power Supply	AC 380 3PH 50Hz
工作功率	Power	15KW
台面高度	Table Height	750mm
输送载重	Conveying Load	20KG
输送速度	Conveyor Speed	1-15m/min
炉道尺寸	Tunnel Size	1800×450×250mm
机械尺寸	Machine Size	2510×700×1450mm
包装尺寸	Package Size	2590×800×1580mm
毛净重量	G./N. Weight	320/250KG

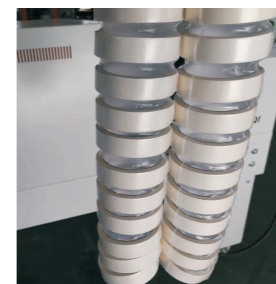
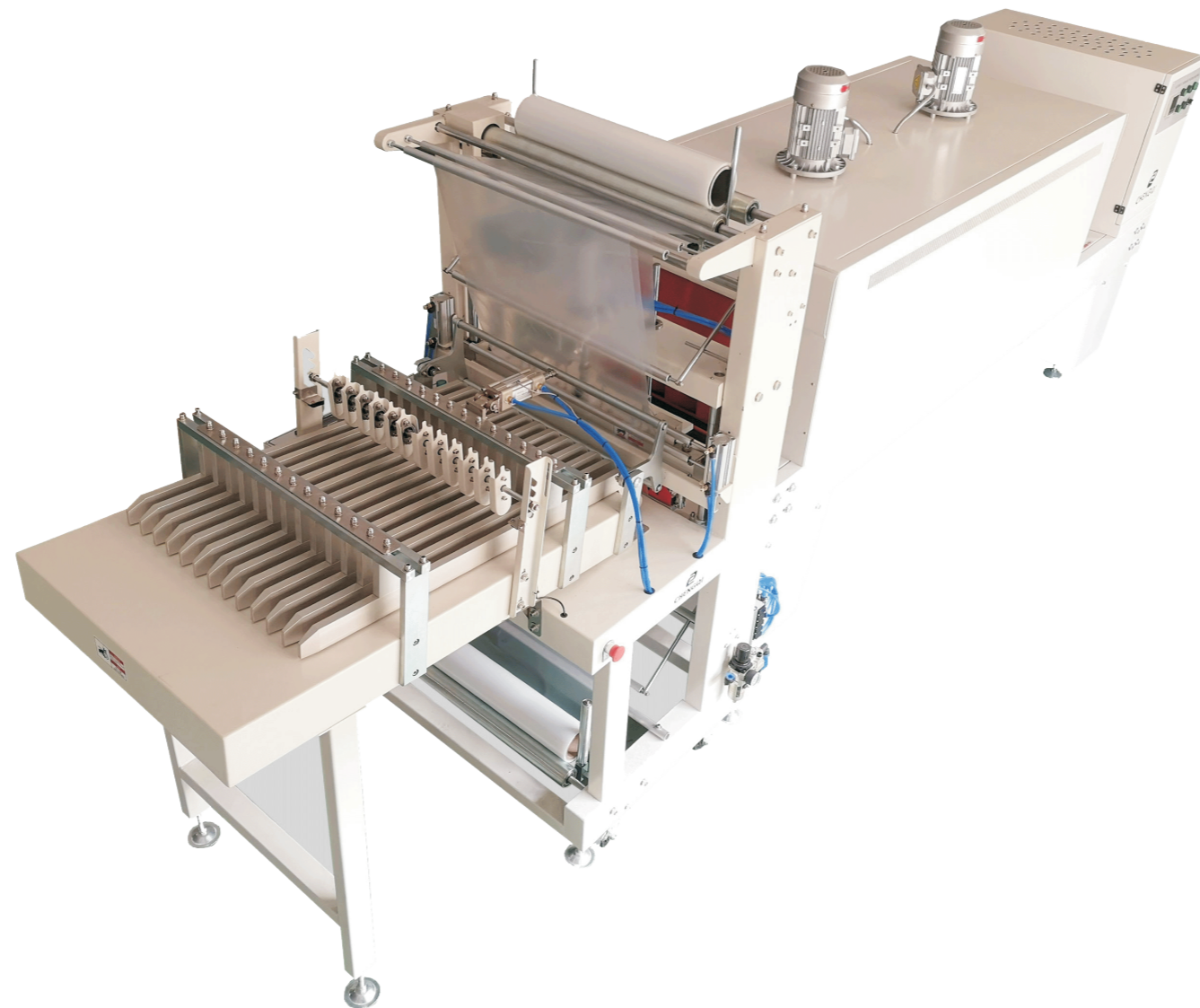
TF6540+BS6040PE

产品特点/Product Features

- 袖口式套膜封切机采用直进间隔设计，适合圆形物体的集合套膜包装。
- 采用美国杜邦特弗龙涂层抗粘耐高温特制钢刀，封口不会开裂，不会焦化、不冒烟。
- 采用进口光电传感器，定位准确，响应速度快。
- 采用松下PLC可编程控制器和威纶通7寸人机界面，操作简单。
- 独立的电气控制箱设计，方便操作人员的使用。
- 设备配有压料机构，对于较轻物体的包装也不会移位。
- 封刀机构带有自动保护功能，有效防止误切包装物和保障人员安全。
- 整套设备可实现和生产线的无缝连接。
- 自动模式和手动模式可随时切换选择，方便更换包装膜。
- PE热收缩机采用双热风循环电机，炉内热风均匀、温度恒定。
- 采用链杆式输送设计，实心钢杆外包优质硅胶管。
- 采用减速输送电机和电子调速控制传送速度，实现无级调速。
- 后置配电箱设计，保证电箱内各电器元件通风良好。
- 自带冷风机构，起到有效降温的作用。

技术参数/Machine parameter

设备型号	Model	TF6540
工作电源	Power Supply	AC 380V 3PH 50Hz
工作功率	Power	1.8KW
最大包装尺寸	Max. Packing Size	(W)≤400mm ; (H)≤100mm
封口尺寸	Sealing Size	(W)600mm
台面高度	Table Height	800mm
包装速度	Packing Speed	5-15pcs/min
使用气源	Air Source	6kgf/cm2
使用薄膜	Shrink Film	PE
薄膜尺寸	Film Size	(W)≤580mm ; (D)≤250mm ; (G)≤35KG
封切形式	Sealing Type	Sleeve type
机械尺寸	Machine Size	(L)1550×(W)1280×(H)1750mm
包装尺寸	Package Size	(L)1720×(W)1380×(H)1820mm
毛净重量	G./N. Weight	430/330KG



- Tf6540 adopts the unique design and compact structure. It is very suitable for accordion type tapes packing.
- Adopts straight into and out design. Especially suitable for carton or larger items collection or single shrink wrapping.
- Sealing knife uses the special steel knife with Daikin Teflon which is anti-stick coating & anti-high temperature. So the sealing will not have cracking, coking and smoking.
- Imported photoelectric sensor, positioning accuracy, fast response.
- Adopt Panasonic PLC programmable controller and WEINVIEW 7-inch man machine interface, simple operation.
- The user-friendly control box makes the operation much easier.
- Equipped with pressure device makes sure the position is stable even for the light product during the procession.
- The sealing blade itself is also quipped with automatic protection function which effectively prevent from accidental cutting.
- The entire machine realizes unmanned operation with the production line connecting.
- Automatic mode and manual mode can be switched at any time which convenient to replace the shrink film.

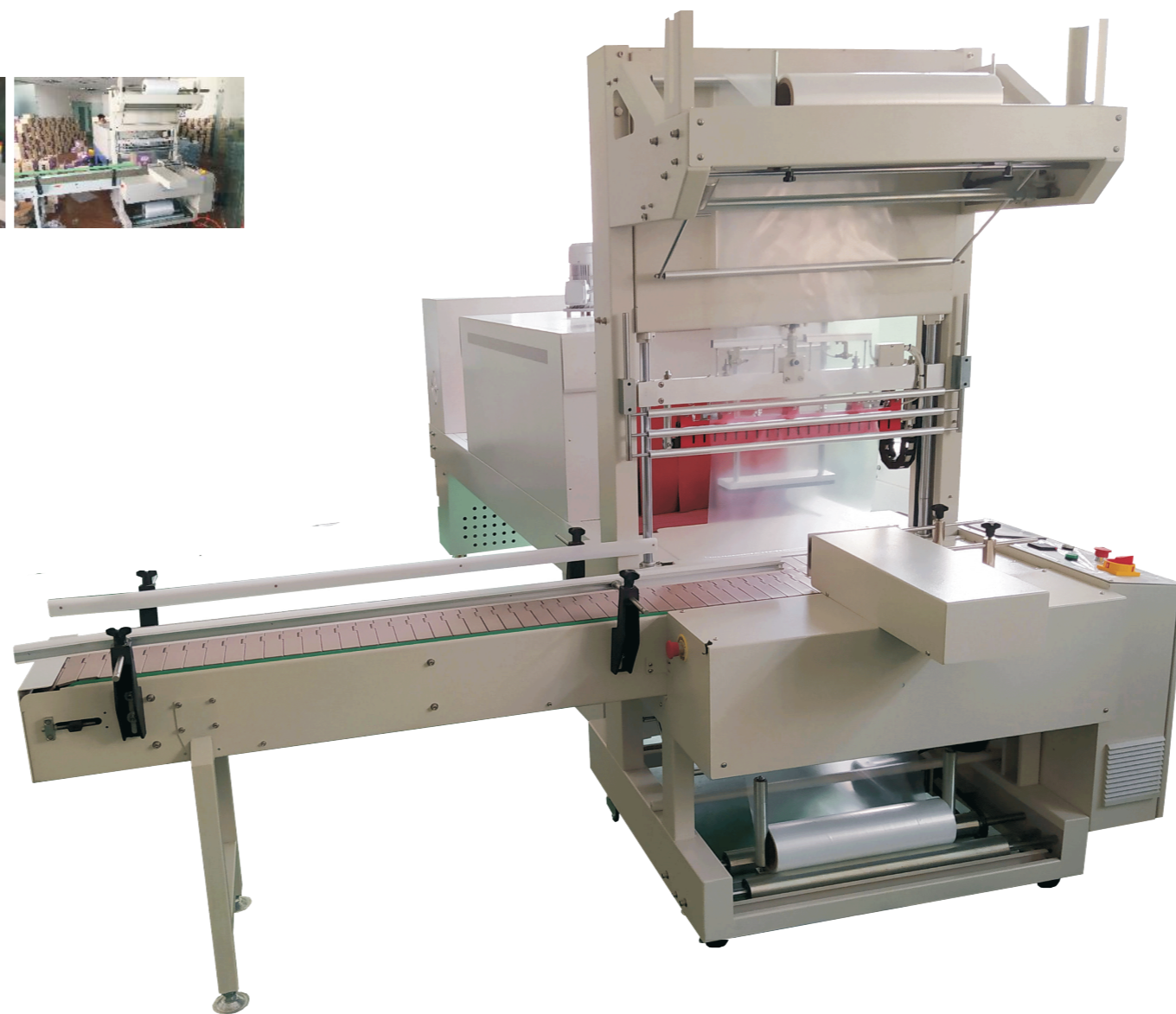
设备型号	Model	BS6040PE
工作电源	Power Supply	AC 380 3PH 50Hz
工作功率	Power	22KW
台面高度	Table Height	780+50mm
输送载重	Conveying Load	30KG
输送速度	Conveyor Speed	1-15m/min
炉道尺寸	Tunnel Size	1800×600×400mm
机械尺寸	Machine Size	2800×850×1620mm
包装尺寸	Package Size	2900×950×1710mm
毛净重量	G./N. Weight	540/450KG

TF6540L+BS6040PE

产品特点/Product Features

- TF6540L全自动袖口式套膜封切机采用侧进料设计，非常适合较轻物品的单个或集合的套膜包装。另有多排型机型可供选择。
- 采用美国杜邦特弗龙涂层抗粘耐高温特制钢刀，封口不会开裂，不会焦化、不冒烟。
- 采用进口光电传感器，定位准确，响应速度快。
- 采用松下PLC可编程控制器和威纶通7寸人机界面，操作简单。
- 独立的电气控制箱设计，方便操作人员的使用。
- 设备配有压料机构，对于较轻物体的包装也不会移位。
- 封刀机构带有自动保护功能，有效防止误切包装物和保障人员安全。
- 整套设备可实现和生产线的无缝连接。
- 自动模式和手动模式可随时切换选择，方便更换包装膜。
- BS6040PE热收缩机采用双热风循环电机，炉内热风均匀、温度恒定。
- 采用链杆式输送设计，实心钢杆外包进口硅胶管。
- 采用进口输送电机和进口变频器控制传送速度，实现无级调速。
- 独立配电箱设计，保证电箱内各电器元件通风良好。
- 自带冷风机构，起到有效降温的作用。

- TF6540L fully automatic sleeve sealer with side feeding design, suitable for lighter items of single or collection packaging.
- Sealing knife uses the special steel knife with Daikin Teflon which is anti-stick coating & anti-high temperature. So the sealing will not have cracking, coking and smoking.
- Imported photoelectric sensor, positioning accuracy, fast response.
- Adopt Panasonic PLC programmable controller and WEINVIEW 7-inch man machine interface, simple operation.
- The separate control box makes it easy to use for operator.
- Equipped with pressure device makes sure the position is stable even for the light product during the procession.
- The sealing blade itself is also quipped with automatic protection function which effectively prevent from accidental cutting.
- The entire machine realizes unmanned operation with the production line connecting.
- Automatic mode and manual mode can be switched at any time which convenient to replace the shrink film.
- BS6040PE heat shrink tunnel adopts four hot air circulation motor makes the hot air in the tunnel is even, constant temperature.
- The chain conveyor made of solid steel covered with imported durable silicone tube.
- Using exported conveyor motor and frequency inverter controls transmission speed to achieved step less speed regulating.
- The separate control box makes sure the electrical components with good ventilation.
- With cold wind equipment which play an effective role in cooling.



技术参数/Machine parameter

设备型号	Model	TF6540L
工作电源	Power Supply	AC 380V 3PH 50Hz
工作功率	Power	1.8KW
最大包装尺寸	Max. Packing Size	(L)≤450mm ; (W)≤260mm ; (H)≤380mm
封口尺寸	Sealing Size	(W)600mm
台面高度	Table Height	800mm
包装速度	Packing Speed	8-15pcs/min
使用气源	Air Source	6kgf/cm2
使用薄膜	Shrink Film	PE
薄膜尺寸	Film Size	(W)≤580mm ; (D)≤250mm ; (G)≤35KG
封切形式	Sealing Type	Sleeve type
机械尺寸	Machine Size	L2460×W1250×H2000mm
包装尺寸	Package Size	L2550×W1300×H2180mm
毛净重量	G./N. Weight	450/330KG

设备型号	Model	BS6040PE
工作电源	Power Supply	AC 380 3PH 50Hz
工作功率	Power	22KW
台面高度	Table Height	780+50mm
输送载重	Conveying Load	30KG
输送速度	Conveyor Speed	1-15m/min
炉道尺寸	Tunnel Size	1800×600×400mm
机械尺寸	Machine Size	2800×850×1620mm
包装尺寸	Package Size	2900×950×1710mm
毛净重量	G./N. Weight	540/450KG

TF6540L+BS6040PE

产品特点/Product Features

- 采用侧进料设计，适合BOPP胶带纸的集合套膜包装。
- 采用美国杜邦特弗龙涂层抗粘耐高温特制钢刀，封口不会开裂，不会焦化、不冒烟。
- 采用进口光电传感器，定位准确，响应速度快。
- 采用松下PLC可编程控制器和威纶通7寸人机界面，操作简单。
- 独立的电气控制箱设计，方便操作人员的使用。
- 设备配有压料机构，对于较轻物体的包装也不会移位。
- 封刀机构带有自动保护功能，有效防止误切包装物和保障人员安全。
- 整套设备可实现和生产线的无缝连接。
- 自动模式和手动模式可随时切换选择，方便更换包装膜。
- BS6040PE热收缩机采用双热风循环电机，炉内热风均匀、温度恒定。
- 采用链杆式输送设计，实心钢杆外包进口硅胶管。
- 采用进口输送电机和进口变频器控制传送速度，实现无级调速。
- 独立配电箱设计，保证配电箱内各电器元件通风良好。
- 自带冷风机构，起到有效降温的作用。



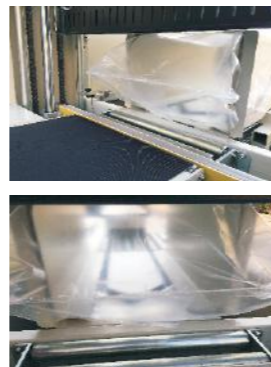
- With side feeding design, suitable for tapes collection packaging.
- Sealing knife uses the special steel knife with Daikin Teflon which is anti-stick coating & anti-high temperature. So the sealing will not have cracking, coking and smoking.
- Imported photoelectric sensor, positioning accuracy, fast response.
- Adopt Panasonic PLC programmable controller and WEINVIEW 7-inch man machine interface, simple operation.
- The separate control box makes it easy to use for operator.
- Equipped with pressure device makes sure the position is stable even for the light product during the procession.
- The sealing blade itself is also quipped with automatic protection function which effectively prevent from accidental cutting.
- The entire machine realizes unmanned operation with the production line connecting.
- Automatic mode and manual mode can be switched at any time which convenient to replace the shrink film.
- BS6040PE heat shrink tunnel adopts hot air circulation motor makes the hot air in the tunnel is even, constant temperature.
- The chain conveyor made of solid steel covered with imported durable silicone tube.
- With cold wind equipment which play an effective role in cooling.

技术参数/Machine parameter

设备型号	Model	TF6540L
工作电源	Power Supply	AC 380V 3PH 50Hz
工作功率	Power	1.8KW
最大包装尺寸	Max. Packing Size	(L)≤500mm ; (W)≤260mm ; (H)≤150mm
封口尺寸	Sealing Size	(W)600mm
台面高度	Table Height	800mm
包装速度	Packing Speed	8-15pcs/min
使用气源	Air Source	6kgf/cm ²
使用薄膜	Shrink Film	PE
薄膜尺寸	Film Size	(W)≤580mm ; (D)≤250mm ; (G)≤35KG
封切形式	Sealing Type	Sleeve type
机械尺寸	Machine Size	L2460×W1250×H2000mm
包装尺寸	Package Size	L2550×W1300×H2180mm
毛净重量	G./N. Weight	450/330KG

设备型号	Model	BS6040PE
工作电源	Power Supply	AC 380 3PH 50Hz
工作功率	Power	22KW
台面高度	Table Height	780+50mm
输送载重	Conveying Load	30KG
输送速度	Conveyor Speed	1-15m/min
炉道尺寸	Tunnel Size	1800×600×400mm
机械尺寸	Machine Size	2800×850×1620mm
包装尺寸	Package Size	2900×950×1710mm
毛净重量	G./N. Weight	540/450KG

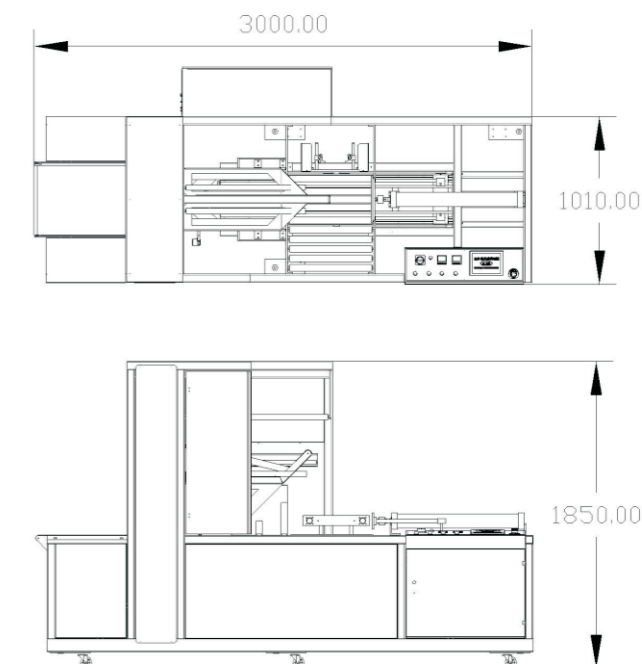
TF6030F



- TF6030F fully closed folding sealer with bottom folding design which suitable for cartons, flooring and other heavier, longer objects PE film fully closed packaging.
- Using PE center-folded film with down-film structure can adapt to large size of product packaging.
- The transverse sealing mechanism adopts sprocket vertical drive, the occlusion range is larger, ensure sealing line in the middle of the product.
- Sealing knife uses the special steel knife with Daikin Teflon which is anti-stick coating & anti-high temperature. So the sealing will not cracking, coking and smoking.
- Imported photoelectric sensor, positioning accuracy, fast response.
- Adopt Panasonic PLC programmable controller and WEINVIEW 7-inch man machine interface, simple operation.
- Sealing knife uses the special steel knife with Daikin Teflon which is anti-stick coating & anti-high temperature. So the sealing will not have cracking, coking and smoking with zero pollution.
- The entire machine realizes unmanned operation with the production line connecting.
- Automatic mode and manual mode can be switched at any time which convenient to replace the shrink film.

技术参数/Machine parameter

设备型号	Model	TF6030F
工作电源	Power Supply	AC 380V 3PH 50/60Hz
工作功率	Power	2KW
最大包装尺寸	Max. Packing Size	(L)Unlimited ; (W+H)≤600mm ; (H)≤300mm
封口尺寸	Sealing Size	(W)650mm
台面高度	Table Height	800mm
包装速度	Packing Speed	5-10pcs/min
使用气源	Air Source	6kgf/cm ²
使用薄膜	Shrink Film	PE
薄膜尺寸	Film Size	(W)≤600mm ; (D)≤280mm; (G)≤35KG
封切形式	Sealing Type	Fully closed back folding
机械尺寸	Machine Size	(L)3000×(W)1300×(H)1850mm
包装尺寸	Package Size	(L)3050×(W)1400×(H)2000mm
毛净重量	G./N. Weight	760/650KG



产品特点/Product Features

- TF6030F全封闭折叠式套膜封切机采用底部折叠式套膜设计，非常适合纸箱、地板等较重、较长物体的PE膜全封闭包装。
- 采用PE对折膜设计、下置膜结构，能适应大尺寸产品的包装。
- 横封机构采用链轮垂直驱动，使咬合范围更大，保证切线在产品中心位置。
- 采用日本大金特弗龙涂层抗粘耐高温特制钢刀，封口不会开裂，不会焦化、不冒烟。
- 采用进口光电传感器，定位准确，响应速度快。
- 采用松下PLC可编程控制器和威纶通7寸人机界面，操作简单。
- 封刀机构带有自动保护功能，有效防止误切包装物和保障人员安全。
- 整套设备可实现和生产线的无缝连接。
- 自动模式和手动模式可随时切换选择，方便更换包装膜。

RSD590

产品特点/Product Features

- 枕式封切机采用底部封口套膜设计，非常适合食品、药品、饮料成组包装、碗面、奶茶、蚊香、墙纸、练习本、滤清器、电气开关、各种文具、工业零件和日用化妆品等产品的热收缩包装。
- 单体或任意包装。
- 防切安全离合装置，不损坏包装物。
- 增加废料回收装置，使包装更美观，比传统的包装机节省材料约3%-10%。
- 彩色触摸屏控制系统，操作极为简便且外形美观；PLC控制使系统更稳定、可靠、故障率低；袋长，速度与温度均可单独调整，操作方便，准确。
- 可配备打码机或喷码机，无需使用人工。
- 具有电机刹车控制，设备反应灵敏。
- 整套设备可实现和生产线的无缝连接。
- 热收缩炉高效双温区，高效热风循环，自动温控，保证收缩质量。



技术参数/Machine parameter

设备型号	Model	RSD590
工作电源	Power Supply	封切机 AC220V 1PH 50Hz 热收缩机 AC380V 1PH 50Hz
工作功率	Power	3.6Kw+16.5Kw
包装尺寸	Packing Size	L:180-530 B:30-200 H:50-130
包装速度	Packing Speed	30-150pcs/min
使用薄膜	Shrink Film	POF
薄膜尺寸	Film Size	L ≤ 590mm
封切形式	Sealing Type	Fully closed back folding
机械尺寸	Machine Size	(L)5000×(W)1105×(H)1450mm (L)2500×(W)600×(H)1700mm
设备重量	N. Weight	1000KG+600KG



The pillow-type sealing and cutting machine is designed with bottom sealing cover. It is very suitable for shrinkable packaging of food, medicine, beverage, bowl noodles, milk tea, mosquito-repellent incense, wallpaper, exercise book, filter, electric switch, stationery, industrial parts and daily cosmetics. Single or arbitrary packaging. Anti-cutting safety clutch without damaging packaging. Increase waste recycling devices to make packaging more beautiful, saving about 3% to 10% material than traditional packaging machines. The color touch screen control system is easy to operate and beautiful in appearance; the PLC control makes the system more stable, reliable and low failure rate; the bag length, speed and temperature can be adjusted independently, and the operation is convenient and accurate.* It can be equipped with a typewriter or jet printer without manual use. With motor brake control and sensitive equipment response. The whole set of equipment can realize seamless connection with production line. High efficient double temperature zone, high efficient hot air circulation, automatic temperature control to ensure the quality of shrinkage.

NF120

产品介绍/Product Introduction

NF系列搬运机器人采用4轴设计，具有结构精简、故障率低、操作方便、能耗低、占地面积少等优点。强大的手腕负载能力能轻而易举的完成搬运任务，该搬运机器人主要适用于负载较大、大范围工作场合。

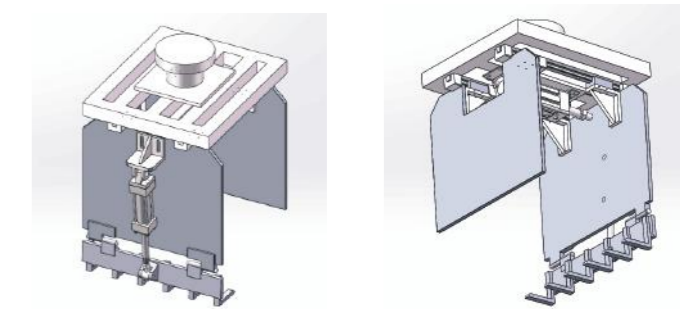
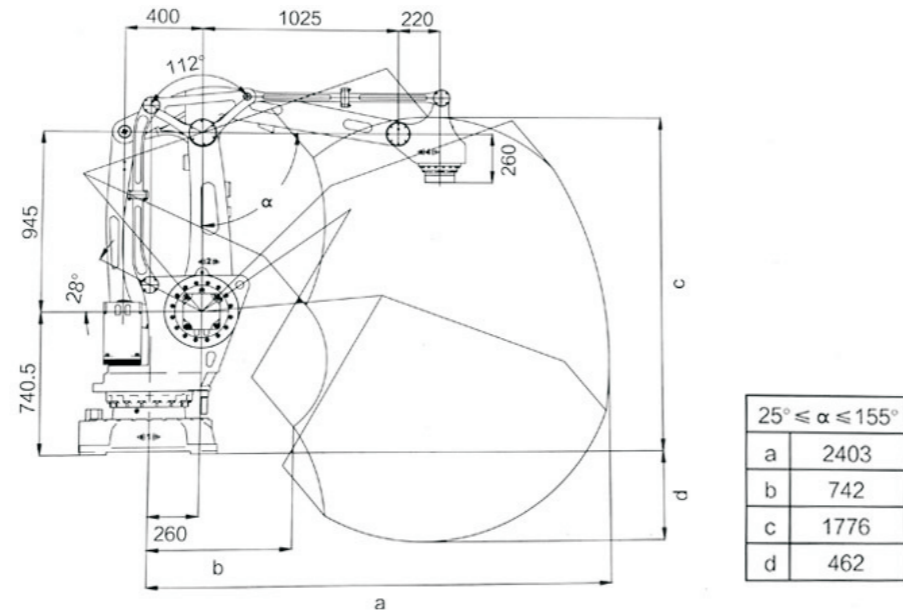
适用于医药、日化、饮料、食品、酒类、五金、等生产企业对纸箱、袋装、盒装、罐装、瓶装等各种形状的成品进行装箱码垛。

The NF series conveying robot is designed with 4 shafts, with simple structure, low failure rate, convenient operation, low energy consumption and small footprint advantages. Powerful wrist payload capacity can complete the task easily, this conveying robot is mainly suitable for large load and large range workplace.

Apply to medicine, daily chemical, beverage, food, liquor, hardware, production enterprises of carton.bags, box, canned, bottled and for other various shapes finished products packing palletizing.

产品特点/Product Features

- 全封闭设计、结构简洁、故障率低。
- 移动灵活、占地面积少，可根据场地随时调整位置。
- 示教简单、适用性强。根据产品的尺寸、体积、形状及托盘的外形尺寸变化更改方便。
- 能耗低，大大降低运行成本。
- 全进口减速机和伺服电机配置，性能稳定。
- Full closed design, simple structure, low failure rate.
- Mobile flexible, small footprint, the position can be adjusted any time according to the workplace.
- Teaching simple, strong applicability which can be changed easily according to different product size, volume and pallet overall dimensions.
- Low energy consumption, greatly reducing the operating costs.
- Imported reducer and servo motor with stable performance.



技术参数/Machine parameter

型号	Model	Nf120	Nf200
自由度	DOF	4轴 Shaft	4轴Shaft
最大负载	Max. Load (KG)	120	200
臂展	Wingspan (mm)	2403	3003
重复定位精度	Position Repeat Accuracy (mm)	±0.2	±0.5
工作范围 Working Range	轴Shaft 1	±165	±180
	轴Shaft 2	+85~-40	+75~-40
	轴Shaft 3	+120~-20	+112~-20
	轴Shaft 4	±300	±360
最大速度 Max. Speed* /s	轴Shaft 1	145	120
	轴Shaft 2	110	120
	轴Shaft 3	120	120
	轴Shaft 4	300	300
本体重量Weight (KG)		1040	1820

木线条包装流水线实例

设计要求/Design requirements

产品名称：木线条\石膏线条等

产品尺寸：均为细长类

产品重量：1.2KG

包装方式：套袋热收缩。

包装速度：每分钟8-12根。

Product Name: Wood line, Gypsum line

Product Size: Slender Species

Product weight: 1.2KG

Packing method: Bagging heat shrinkage

Packaging speed: 8-12 pcs/min

设计目的/Design purpose

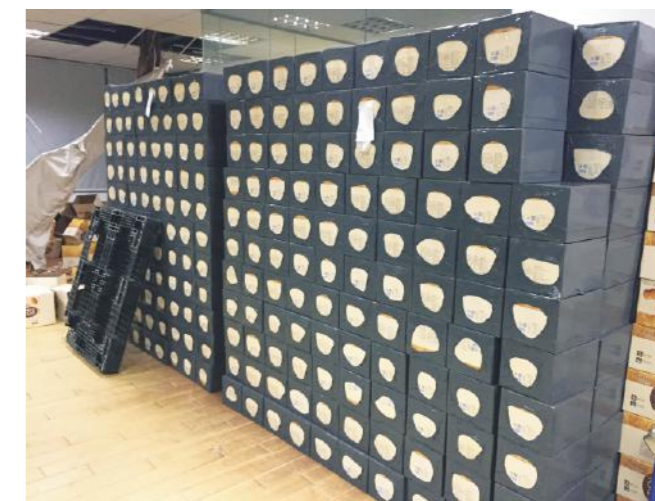
- 减少日益增加的用工成本(人员工资、管理费用)。
 - 节约包材成本，使用热收缩膜替代纸箱等传统包装中使用的包材。
 - 实现产品的连续、高效、高质量的自动化包装，突破人员限制。
 - 代替传统包装过程中人工机械式劳动。
- Reduce the increasing labor costs (staff salaries, management costs).
 - Saving the packaging material costs, adopt heat shrink film instead of cartons and other traditional packaging materials.
 - To achieve continuous, efficient, high quality automated packaging, breakthrough staff restriction.
 - Replace the traditional packaging artificial mechanical labor process.



电商包装流水线实例

设计要求/Design requirements

产品名称：纸箱\泡沫箱
产品尺寸：250*150*150mm
产品重量：<1.0KG
包装方式：代替快递袋包装。
包装速度：每分钟10-15箱。
Product Name: Carton\EPS Box
Product Size: 250*150*150mm
Product weight: <1.0KG
Packing method: Replacing Express Bag Packaging
Packaging speed: 10-15pcs/min



设计目的/Design purpose

- 减少日益增加的用工成本(人员工资、管理费用)。
- 节约包材成本，使用热收缩膜替代纸箱等传统包装中使用的包材。
- 实现产品的连续、高效、高质量的自动化包装，突破人员限制。
- 代替传统包装过程中人工机械式劳动。
- Reduce the increasing labor costs (staff salaries, management costs).
- Saving the packaging material costs, adopt heat shrink film instead of cartons and other traditional packaging materials.
- To achieve continuous, efficient, high quality automated packaging, breakthrough staff restriction.
- Replace the traditional packaging artificial mechanical labor process.

定制大型边封机实例

设计要求/Design requirements

产品名称：大纸箱\大箱子等
产品尺寸：500*400*230mm
产品重量：10KG
包装方式：热收缩包装。
包装速度：每分钟5-10箱。

Product Name: Large cartons, boxes, etc
Product Size: 500 * 400 * 230mm
Product weight: 10KG
Packing method: Heat shrinkable packaging
Packaging speed: 5-10pcs/min



设计目的/Design purpose

- 减少日益增加的用工成本(人员工资、管理费用)。
- 节约包材成本，使用热收缩膜替代纸箱等传统包装中使用的包材。
- 实现产品的连续、高效、高质量的自动化包装，突破人员限制。
- 代替传统包装过程中人工机械式劳动。
- Reduce the increasing labor costs (staff salaries, management costs).
- Saving the packaging material costs, adopt heat shrink film instead of cartons and other traditional packaging materials.
- To achieve continuous, efficient, high quality automated packaging, breakthrough staff restriction.
- Replace the traditional packaging artificial mechanical labor process.

保温板包装流水线实例

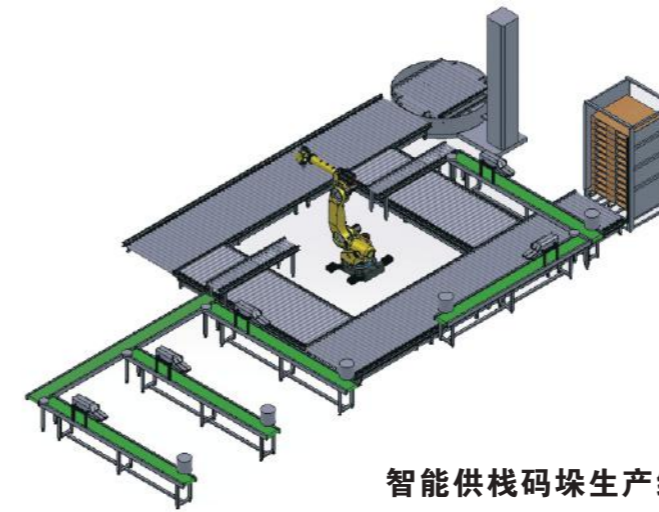
设计要求/Design requirements

产品名称：珍珠岩保温板
 产品尺寸：500*300*30mm
 产品重量：1.2KG
 包装方式：10个产品自动叠放，采用PE膜袖口式热收缩包装，包装完成后自动码垛到托盘上，码垛方式为2行4列共4层。
 包装速度：每分钟60片。

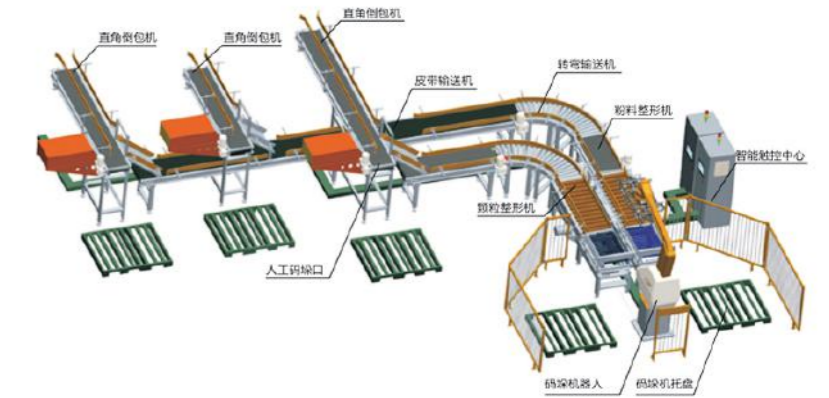
Product Name: Perlite Thermal Insulation Board
 Product Size: 500 * 300 * 30mm
 Product weight: 1.2KG
 Packing method: 10 products stack automatically, adopt PE film sleeve heat shrink packaging, when packaging completed automatic palletizing to the pallet, palletizing method are 2 rows and 4 columns, a total of 4 layers.
 Packaging speed: 60 pcs/min

设计目的/Design purpose

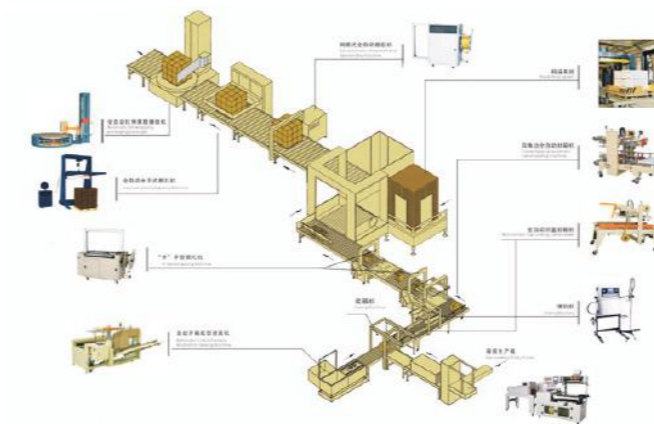
- 减少日益增加的用工成本(人员工资、管理费用)。
- 节约包材成本，使用热收缩膜替代纸箱等传统包装中使用的包材。
- 实现产品的连续、高效、高质量的自动化包装，突破人员限制。
- 代替传统包装过程中人工机械式劳动。
- Reduce the increasing labor costs (staff salaries, management costs).
- Saving the packaging material costs, adopt heat shrink film instead of cartons and other traditional packaging materials.
- To achieve continuous, efficient, high quality automated packaging, breakthrough staff restriction.
- Replace the traditional packaging artificial mechanical labor process.



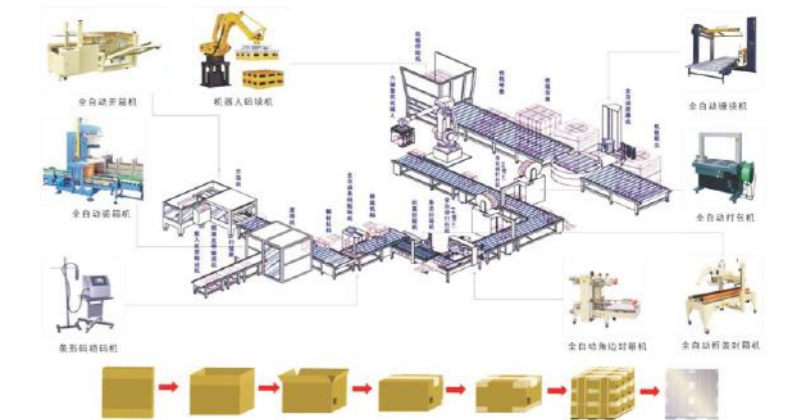
智能供栈码垛生产线



双工位码垛生产线



后道包装流水线



开箱-装箱-封箱生产线

半自动封切收缩机/Semi-automatic sealing shrink wrapping machine

二合一热收缩包装机

产品特点/Product Features

二合一热收缩包装机以POF、PP、PVC收缩膜为材料，集封口和收缩为一体，只须一个人工作便可完成封口和收缩作业，且降低了功率的消耗，广泛用于饮料、礼品、五金、化妆品、玩具及塑胶等外包装。

two-in-one heat shrinkable packaging machine is made of POF, PP and PVC shrinkable film. It integrates sealing and shrinking. It can complete sealing and shrinking work only by one person, and reduces power consumption. It is widely used in the packaging of beverages, gifts, hardware, cosmetics, toys and plastic.



技术参数/Machine parameter

设备型号	Model	BFS5540
工作电源	Power Supply	AC 220V 1PH 50Hz
工作功率	Power	4KW
台面高度	Table Height	780+50mm
输送载重	Conveying Load	5KG
包装速度	Speed	500-800pcs/h
炉道尺寸	Tunnel Size L×W×H	550×400mm
机械尺寸	Machine Size L×W×H	1370×690×1100mm
包装尺寸	Package Size L×W×H	1470×790×1250mm
毛净重量	G./N. Weight	160/120KG

半自动L型封切机

产品特点/Product Features

半自动L型封切收缩包装机是采用收缩薄膜包裹在产品或包装件外面，经过加热，使收缩薄膜收缩裹紧产品或包装件，充分显示才、物品的外观，提高产品的展销性，增加美观及价值感。同时，包装后的物品能密封、防潮、防污染，并保护商品免受来自外部的冲击，具有一定的缓冲性，尤其是当包装易碎品时，能防止器械破碎时飞散。

Semi-automatic L-type sealing and shrinking packaging machine uses shrinking film to wrap products or packages outside. After heating, shrinking film can shrink and wrap products or packages tightly, fully display the appearance of talents and articles, improve the product's marketability, increase the aesthetic and value sense. At the same time, the packaged goods can be sealed, moisture-proof, pollution-proof, and protect the goods from external shocks. It has a certain cushioning property, especially when packaging fragile goods, it can prevent the equipment from flying when broken



技术参数/Machine parameter

设备型号	Model	FQL450A	BS4525B
工作电源	Power Supply	AC 220V 1PH 50Hz	AC 380V 3PH 50Hz
工作功率	Power	1KW	11KW
台面高度	Table Height	700+50mm	700+50mm
输送载重	Conveying Load	10KG	10KG
包装速度	Speed	400-600pcs/h	1-10m/min
炉道尺寸	Tunnel Size L×W×H	550×450mm	1000×450×250mm
机械尺寸	Machine Size L×W×H	1720×740×1050mm	1260×670×1290mm
包装尺寸	Package Size L×W×H	1800×850×1170mm	1360×770×1450mm
毛净重量	G./N. Weight	150/116KG	110/80KG

半自动封切收缩机/Heat Shrink Tunnel

气动L型封切机

产品特点/Product Features

气动L型封切收缩包装机是采用收缩薄膜包裹在产品或包装件外面，经过加热，使收缩薄膜收缩裹紧产品或包装件，充分显示才、物品的外观，提高产品的展销性，增加美观及价值感。同时，包装后的物品能密封、防潮、防污染，并保护商品免受来自外部的冲击，具有一定的缓冲性，尤其是当包装易碎品时，能防止器械破碎时飞散。此外，可降低产品被拆、被窃的可能性。适用于食品、饮料、药品、化妆品等行业的玻璃瓶、塑料瓶、纸杯等容器经套标后的瓶身或杯身的标签热收缩包装。

Pneumatic L-type sealing and shrinking packaging machine uses shrink film to wrap the product or package outside, after heating, shrink film to wrap the product or package tightly, fully display the appearance of talent and articles, improve the product's marketability, increase the aesthetic and value sense. At the same time, the packaged goods can be sealed, moisture-proof, pollution-proof, and protect the goods from external shocks. It has a certain cushioning property, especially when packaging fragile goods, it can prevent the equipment from flying when broken.



技术参数/Machine parameter

设备型号	Model	FQL450A	BS4525B
工作电源	Power Supply	AC 220V 1PH 50Hz	AC 380V 3PH 50Hz
工作功率	Power	1KW	11KW
台面高度	Table Height	700+50mm	700+50mm
输送载重	Conveying Load	10KG	10KG
包装速度	Speed	400-600pcs/h	1-10m/min
炉道尺寸	Tunnel Size L×W×H	550×450mm	1000×450×250mm
机械尺寸	Machine Size L×W×H	1720×740×1050mm	1260×670×1290mm
包装尺寸	Package Size L×W×H	1800×850×1170mm	1360×770×1450mm
毛净重量	G./N. Weight	158/128KG	110/80KG

半自动袖口式封切收缩机

产品特点/Product Features

半自动袖口式套膜机适用于白酒、纯净水、可乐、易拉罐，矿泉水，啤酒，玻璃瓶，饮料等各种塑料瓶、玻璃瓶的无底托或有底托热收缩包装；同时与恒温PE收缩机配套使用，使物品达到完美的包装效果；本机采用德国先进工艺，其主要配件均采用国外知名品牌；整机性能稳定，使用寿命长。本机广泛应用于饮料、食品、电子、玩具、五金产品，化妆品、药品、书籍、电子产品，包装后的产品外形美观、整洁、防尘、防潮、防破损、便于搬运和储存、大大降低产品的损耗，且成本低廉。

Semi-automatic cuff-type Film-covering machine is suitable for bottomless or bottomless shrinkage packaging of liquor, pure water, cola, cans, mineral water, beer, glass bottles, beverages and other plastic bottles, glass bottles, etc. Meanwhile, it is matched with constant temperature PE shrinkage machine to achieve perfect packaging effect. Its main accessories are well-known foreign brands; the whole machine has stable performance and long service life.

技术参数/Machine parameter

设备型号	Model	TF6540SA
工作电源	Power Supply	AC 220V 1PH 50Hz
工作功率	Power	1.5KW
最大包装尺寸	Max. Packing Size	(W)≤450mm ; (H)≤380mm
封口尺寸	Sealing Size	(W)650mm
台面高度	Table Height	800mm
包装速度	Packing Speed	5-8pcs/min
使用气源	Air Source	6kgf/cm ²
使用薄膜	Shrink Film	PE
薄膜尺寸	Film Size	(W)≤550mm ; (D)≤250mm ; (G)≤35KG
封切形式	Sealing Type	Sleeve type
机械尺寸	Machine Size	(L)920×(W)1040×(H)1920mm
包装尺寸	Package Size	(L)1020×(W)1140×(H)2150mm
毛净重量	G./N. Weight	260/200KG



RA4020

产品特点/Product Features

- 本机采用旋风设计，炉内热风均匀、温度恒定。
- 采用链杆式输送设计，每根均可以自由转动。
- 采用普通温控器，温度调节简单。
- 电子调速，适合不同速度的需要。
- 经典炉道设计，收缩效果好。
- 使用石英加热管，升温快。
- 适用POF、PVC、PP、PET等热收缩膜。

- The machine adopts cyclone design, the hot air in the furnace is uniform and the temperature is constant.
- With the chain rod conveying design, each can rotate freely.
- Classical furnace design, good shrinkage effect.
- Using quartz heating tube, heating up quickly.
- Suitable for POF, PVC, PP, PET heat shrinkable film.

技术参数/Machine parameter

设备型号	Model	RA3015	RA4020
工作电源	Power Supply	AC380 3PH 50Hz	AC 380V 3PH 50Hz
工作功率	Power	6.5KW	7KW
台面高度	Table Height	700mm	700mm
输送载重	Conveying Load	5KG	10KG
输送速度	Conveyor Speed	1-10m/min	1-10m/min
炉道尺寸	Tunnel Size L×W×H	800×300×150mm	800×400×200mm
机械尺寸	Machine Size L×W×H	1200×500×1000mm	1200×600×1050mm
包装尺寸	Package Size L×W×H	1250×550×1050mm	1250×650×1100mm
毛净重量	G./N. Weight	70/60KG	85/75KG



BS4525A

产品特点/Product Features

- 本机采用内循环底部运风风机设计，炉内热风均匀、温度恒定。
- 采用链杆式输送设计，空心钢杆外包硅胶管，每根均可以自由转动。
- 采用数显温控器，内置PID功能，温度灵敏与精确，可随意设定。
- 电子调速，输送速度可以无级调节，适合不同场合的需要。
- 加长型炉道设计，能适应更大产品的包装，收缩效果更好。
- 本机使用不锈钢翅片加热管，使用寿命长，加热效能高。
- 本机适用POF、PVC、PP、PET等热收缩膜。

- shrink tunnel adopts the design of internal recycling air fan, so that the hot air in the tunnel is even, constant temperature.
- The machine uses stainless steel finned heating tube which has a long service life and high heating efficiency.
- Using digital temperature controller which built-in PID function. Sealing blade temperature is extremely sensitive and accurate which can be set arbitrarily.
- Chain bar conveying, using hollow steel covered with durable imported silicone tube, each bar can rotate freely.
- Suitable for POF, PVC, PP, PET heat shrinkable film.

技术参数/Machine parameter

设备型号	Model	BS4525A	BS4535LA
工作电源	Power Supply	AC 380V 3PH 50Hz	AC 380V 3PH 50Hz
工作功率	Power	7KW	9.6KW
台面高度	Table Height	700mm	700mm
输送载重	Conveying Load	10KG	10KG
输送速度	Conveyor Speed	1-10m/min	1-10m/min
炉道尺寸	Tunnel Size L×W×H	800×450×250mm	1200×450×350mm
机械尺寸	Machine Size L×W×H	1200×700×1000mm	1600×700×1100mm
包装尺寸	Package Size L×W×H	1250×750×1100mm	1650×750×1200mm
毛净重量	G./N. Weight	100/80KG	150/120KG



BS4522N

产品特点/Product Features

- BS4522N热收缩机采用内循环双运风风机设计，炉内热风均匀、温度恒定。
- 采用链杆式输送设计，空心钢杆外包进口硅胶管，每根均可以自由转动。
- 采用数显温控器，内置PID功能，温度灵敏与精确，可随意设定。
- 电子调速，输送速度可以无级调节，适合不同场合的需要。
- 加长型炉道设计，能适应更大产品的包装，收缩效果更好。
- 本机使用不锈钢翅片加热管，使用寿命长，加热效能高。
- 本机适用POF、PVC、PP、PET等热收缩膜。

- BS4522N shrink tunnel adopts the design of internal double recycling air fan, so that the hot air in the tunnel is even, constant temperature.
- The machine uses stainless steel finned heating tube which has a long service life and high heating efficiency.
- Using digital temperature controller which built-in PID function. Sealing blade temperature is extremely sensitive and accurate which can be set arbitrarily.
- Chain bar conveying, using hollow steel covered with durable imported silicone tube, each bar can rotate freely.
- Suitable for POF, PVC, PP, PET heat shrinkable film.



技术参数/Machine parameter

设备型号	Model	BS4522N	BS5030N
工作电源	Power Supply	AC 380V 3PH 50Hz	AC 380V 3PH 50Hz
工作功率	Power	12KW	18.5KW
台面高度	Table Height	780+50mm	780+50mm
输送载重	Conveying Load	20KG	20KG
输送速度	Conveyor Speed	1-15m/min	1-15m/min
炉道尺寸	Tunnel Size L×W×H	1500×450×220mm	1750×500×300mm
机械尺寸	Machine Size L×W×H	1910×700×1320mm	2150×750×1420mm
包装尺寸	Package Size L×W×H	1960×800×1470mm	2200×850×1570mm
毛净重量	G./N. Weight	220/200KG	370/320KG

技术参数/Machine parameter

设备型号	Model	BS6040N	BS7530N	BS8530N
工作电源	Power Supply	AC 380V 3PH 50Hz	AC 380V 3PH 50Hz	AC 380V 3PH 50Hz
工作功率	Power	25KW	25.5KW	30KW
台面高度	Table Height	780+50mm	780+50mm	780+50mm
输送载重	Conveying Load	20KG	20KG	25KG
输送速度	Conveyor Speed	1-10m/min	1-10m/min	1-10m/min
炉道尺寸	Tunnel Size	1750×600×400mm	1750×750×300mm	1750×850×300mm
机械尺寸	Machine Size	2150×850×1420mm	2150×1050×1510mm	2150×1150×1510mm
包装尺寸	Package Size	2200×950×1570mm	2200×1150×1660mm	2200×1250×1660mm
毛净重量	G./N. Weight	400/350KG	450/380KG	500/430KG

BS5030LW

产品特点/Product Features

- 本机采用内循环底部运风风机设计，炉内热风均匀、温度恒定。
- 采用链杆式输送设计，空心钢杆外包进口硅胶管，每根均可以自由转动。
- 采用数显温控器，内置PID功能，温度灵敏与精确，可随意设定。
- 电子调速，输送速度可以无级调节，适合不同场合的需要。
- 加长型炉道设计，能适应更大产品的包装，收缩效果更好。
- 本机使用不锈钢翅片加热管，使用寿命长，加热效能高。
- 本机适用POF、PVC、PP、PET等热收缩膜。

- shrink tunnel adopts the design of internal double recycling air fan, so that the hot air in the tunnel is even, constant temperature.
- The machine uses stainless steel finned heating tube which has a long service life and high heating efficiency.
- Using digital temperature controller which built-in PID function. Sealing blade temperature is extremely sensitive and accurate which can be set arbitrarily.
- Chain bar conveying, using hollow steel covered with durable imported silicone tube, each bar can rotate freely.
- Suitable for POF, PVC, PP, PET heat shrinkable film.



技术参数/Machine parameter

设备型号	Model	BS5030LW
工作电源	Power Supply	AC 380V 3PH 50Hz
工作功率	Power	16KW
台面高度	Table Height	800mm
输送载重	Conveying Load	30KG
输送速度	Conveyor Speed	1-15m/min
炉道尺寸	Tunnel Size L×W×H	1500×500×300mm
机械尺寸	Machine Size L×W×H	1900×1020×1260mm
包装尺寸	Package Size L×W×H	2000×1120×1410mm
毛净重量	G./N. Weight	550/460KG

BS6040PE

产品特点/Product Features

- BS6040PE热收缩机采用双热风循环电机，炉内热风均匀、温度恒定。
- 采用数显温控器，内置PID功能，温度灵敏与精确，可随意设定。
- 采用进口输送电机和进口变频器控制传送速度，实现无级调速。
- 变频器调速，输送速度可以无级调节，适合不同场合的需要。
- 独立配电箱设计，保证电箱内各电器元件通风良好。
- 采用链杆式输送设计，实心钢杆外包进口硅胶管。
- 自带冷风机构，起到有效降温的作用。

- BS6040PE heat shrink tunnel adopts Four hot air circulation motor makes the hot air in the tunnel is even, constant temperature.
- The chain conveyor made of solid steel covered with imported durable silicone tube.
- Using digital temperature controller which built-in PID function. Sealing blade temperature is extremely sensitive and accurate which can be set arbitrarily.
- Using frequency inverter controls transmission speed to achieved step less speed regulating.
- The separate control box makes sure the electrical components with good ventilation.
- With cold wind equipment which play an effective role in cooling.



技术参数/Machine parameter

设备型号	Model	BS6040PE
工作电源	Power Supply	AC 380 3PH 50Hz
工作功率	Power	22KW
台面高度	Table Height	780+50mm
输送载重	Conveying Load	30KG
输送速度	Conveyor Speed	1-15m/min
炉道尺寸	Tunnel Size	1500×600×400mm
机械尺寸	Machine Size	2510×850×1600mm
包装尺寸	Package Size	2650×940×1380mm
毛净重量	G./N. Weight	420/370KG

BS6040LPE

产品特点/Product Features

- BS6040LPE热收缩机采用双热风循环电机，炉内热风均匀、温度恒定。
- 采用数显温控器，内置PID功能，温度灵敏与精确，可随意设定。
- 采用进口输送电机和进口变频器控制传送速度，实现无级调速。
- 变频器调速，输送速度可以无级调节，适合不同场合的需要。
- 独立配电箱设计，保证电箱内各电器元件通风良好。
- 采用链杆式输送设计，实心钢杆外包进口硅胶管。
- 自带冷风机构，起到有效降温的作用。

- BS6040LPE heat shrink tunnel adopts Four hot air circulation motor makes the hot air in the tunnel is even, constant temperature.
- The chain conveyor made of solid steel covered with imported durable silicone tube.
- Using digital temperature controller which built-in PID function. Sealing blade temperature is extremely sensitive and accurate which can be set arbitrarily.
- Using frequency inverter controls transmission speed to achieved step less speed regulating.
- The separate control box makes sure the electrical components with good ventilation.
- With cold wind equipment which play an effective role in cooling.



技术参数/Machine parameter

设备型号	Model	BS6040LPE
工作电源	Power Supply	AC 380 3PH 50Hz
工作功率	Power	22KW
台面高度	Table Height	780+50mm
输送载重	Conveying Load	40KG
输送速度	Conveyor Speed	1-15m/min
炉道尺寸	Tunnel Size	1800×600×400mm
机械尺寸	Machine Size	2850×990×1750mm
包装尺寸	Package Size	2950×1050×1900mm
毛净重量	G./N. Weight	670/570KG

BS8060PE

产品特点/Product Features

- 本机采用多热风循环电机，炉内热风均匀、温度恒定。
- 采用数显温控器，内置PID功能，温度灵敏与精确，可随意设定。
- 采用进口输送电机和进口变频器控制传送速度，实现无级调速。
- 变频器调速，输送速度可以无级调节，适合不同场合的需要。
- 独立配电箱设计，保证电箱内各电器元件通风良好。
- 采用链杆式输送设计，实心钢杆外包进口硅胶管。
- 自带冷风机构，起到有效降温的作用。

- heat shrink tunnel adopts Four hot air circulation motor makes the hot air in the tunnel is even, constant temperature.
- The chain conveyor made of solid steel covered with imported durable silicone tube.
- Using digital temperature controller which built-in PID function. Sealing blade temperature is extremely sensitive and accurate which can be set arbitrarily.
- Using frequency inverter controls transmission speed to achieved step less speed regulating.
- The separate control box makes sure the electrical components with good ventilation.
- With cold wind equipment which play an effective role in cooling.



技术参数/Machine parameter

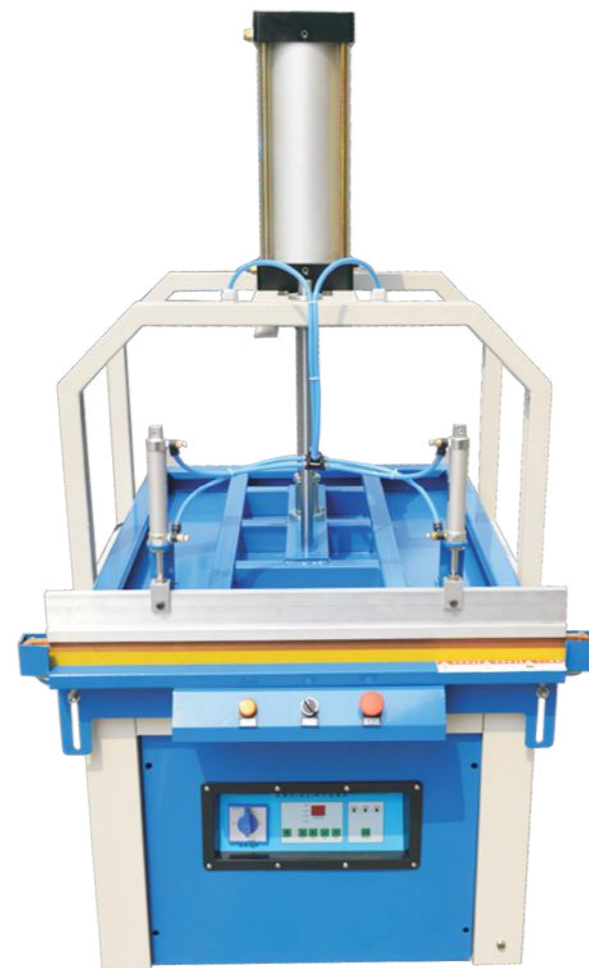
设备型号	Model	BS8060PE	BS10040PE
工作电源	Power Supply	AC 380V 3PH 50Hz	AC 380V 3PH 50Hz
工作功率	Power	40KW	45KW
台面高度	Table Height	800+50mm	800+50mm
输送载重	Conveying Load	80KG	80KG
输送速度	Conveyor Speed	1-15m/min	1-15m/min
炉道尺寸	Tunnel Size	2500×800×600mm	2500×1000×400mm
机械尺寸	Machine Size	3500×1200×1850mm	3500×1400×1750mm
包装尺寸	Package Size	3550×1300×2000mm	3550×1500×1900mm
毛净重量	G./N. Weight	1450/1300KG	1700/1500KG

YS800/1E

产品特点/Product Features

- 采用单气缸设计，压板高度达到300mm。
- 安装方便、操作安全简单，只需踩一下脚踏开关就能完成整个包装过程。
- 包装后能有效压缩产品体积及防潮，防尘，从而极大地降低储藏运输成本，提高效率。
- 适用范围：枕头、羽绒被服，太空棉被，靠垫等大容量蓬松物品的压缩包装及塑料袋封口问题。

- Ys800 / 1E compression sealing packaging machine with a single cylinder design, pressure plate height reached 300mm.
- The installation is convenient, safe and simple operation, only need to step on the pedal switch can complete the packaging process.
- After packaging can effectively compress the product volume and moisture proof, dustproof, which greatly transportation costs and improve efficiency.
- Application range: pillow, feather quilt, feather clothes, space quilts, cushions, high capacity fluffy items compressed packaging and plastic bag sealing process.



技术参数/Machine parameter

产品型号	Model	YS800/1E
工作电源	Power Supply	AC 220V 1PH 50Hz
工作功率	Power	1KW
使用气源	Air Source	6kgf/cm ²
包装能力	Packing Speed	3-5times/min
压缩面积	Compressed Area	< 700×900mm
行程高度	Stroke Height	300mm
封口长度	Sealing Length	(L)800mm×(W)10mm×1pcs
机器尺寸	Machine Size	(L)1070×(W)950×(H)1780mm
包装尺寸	Package Size	(L)1170×(W)1050×(H)1950mm
机器重量	Machine Weight	230/170KG

YS1000/1E

产品特点/Product Features

- YS1000/1E压缩式封口包装机采用双气缸大压板设计，压板高度达到500mm，能适应大尺寸物品的包装。
- 安装方便、操作安全简单，只需踩一下脚踏开关就能完成整个包装过程。
- 包装后能有效压缩产品体积及防潮，防尘，从而极大地降低储藏运输成本，提高效率。
- 适用范围：枕头、羽绒被服，太空棉被，靠垫等大容量蓬松物品的压缩包装及塑料袋封口问题。

- Ys1000 / 1E compression sealing packaging machine with double cylinder large press plate design, pressure plate height reached 500mm.
- The installation is convenient, safe and simple operation, only need to step on the pedal switch can complete the packaging process.
- After packaging can effectively compress the product volume and moisture proof, dustproof, which greatly reduces the storage and transportation costs and improve efficiency.
- Application range: pillow, feather quilt, feather clothes, space quilts, cushions, high capacity fluffy items compressed packaging and plastic bag sealing process.



技术参数/Machine parameter

设备型号	Model	YS1000/1E	YS1000/2E
工作电源	Power Supply	AC 220V 1PH 50Hz	AC 220V 1PH 50Hz
工作功率	Power	1.1KW	2.1KW
使用气源	Air Source	6kgf/cm ²	6kgf/cm ²
包装能力	Packing Speed	3-5times/min	3-5times/min
压缩面积	Compressed Area	< 1300×950mm	< 1200×950mm
行程高度	Stroke Height	500mm	500mm
封口长度	Sealing Length	(L)1000mm×(W)10mm×1pcs	(L)1000mm×(W)10mm×2pcs
机器尺寸	Machine Size	(L)1420×(W)1100×(H)2150mm	(L)1420×(W)1100×(H)2150mm
包装尺寸	Package Size	(L)1500×(W)1200×(H)1900mm	(L)1500×(W)1200×(H)1900mm
机器重量	Weight	400KG	430KG

SW260

产品特点/Product Features

透明膜包装机可将硬质长、方体外面裹包一层带防伪易拉线的透明膜。包装效果与香烟外包相同，因此，俗称“烟包机”。目前应用于：化妆品、药品、饼干、茶叶、扑克、便签纸、光盘等物品的包裹。可对物品进行单件或条盒自动裹包、送料、折叠、热封、包装、计数，并自动粘贴防伪金拉线。

- Compact structure and reasonable, stable performance is advanced, easy operation and maintenance
- Adopt multi-function digital frequency inverter, stepless variable speed
- Mould replacement is convenient
- With automatic feeder, automatic counting, etc
- The transmission part is equipped with all kinds of protection devices and fault prompt
- Commissioning film feeding clutch, no waste of packing materials



技术参数/Machine parameter

产品型号	Model	SW260
工作电源	Power Supply	AC 220V 1PH 50Hz
工作功率	Power	4 KW
电机功率	Motor Power	0.75 KW
包装能力	Packing Speed	20-50 times/min
包装尺寸	Packing Size	L+H+15mm<250mm,W+H<170mm, H<100mm
包装材料	Packing Material	BOPP Film
机器尺寸	Machine Size	(L)2100mm×(W)930mm×(H)1600mm
包装尺寸	Package Size	(L)2200mm×(W)1050mm×(H)1750mm
机器重量	Machine Weight	1000/900KG



SW560

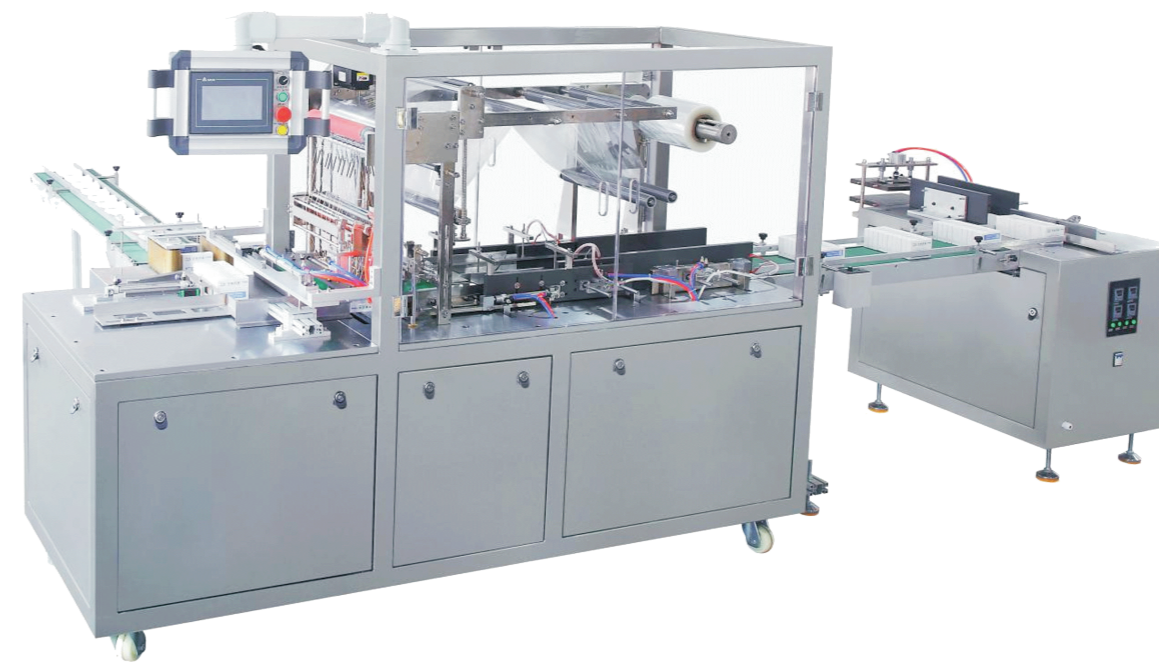
产品特点/Product Features

透明膜包装机可将硬质长、方体外面裹包一层带防伪易拉线的透明膜。包装效果与香烟外包相同，因此，俗称“烟包机”。目前应用于：化妆品、药品、饼干、茶叶、扑克、便签纸、光盘等物品的包裹。可对物品进行单件或条盒自动裹包、送料、折叠、热封、包装、计数，并自动粘贴防伪金拉线。

- Compact structure and reasonable, stable performance is advanced, easy operation and maintenance
- Adopt multi-function digital frequency inverter, stepless variable speed
- Mould replacement is convenient
- With automatic feeder, automatic counting, etc
- The transmission part is equipped with all kinds of protection devices and fault prompt

技术参数/Machine parameter

产品型号	Model	SW260
工作电源	Power Supply	AC 220V 1PH 50Hz
工作功率	Power	4 KW
电机功率	Motor Power	0.75 KW
包装能力	Packing Speed	20-50 times/min
包装尺寸	Packing Size	L+H+15mm<250mm,W+H<170mm, H<100mm
包装材料	Packing Material	BOPP Film
机器尺寸	Machine Size	(L)2100mm×(W)930mm×(H)1600mm
包装尺寸	Package Size	(L)2200mm×(W)1050mm×(H)1750mm
机器重量	Machine Weight	1000/900KG



热收缩膜/ Heat shrinkable packaging film

PE产品特点/Product Features

PE热收缩膜主要成分是聚乙烯，它的化学性能稳定、不易老化、易降解，具有抗穿刺、超强度高性能、高韧性、抗撞击、抗撕裂性好等特点对堆放在托板上的货物进行包装，使包装物更加稳固整洁，更超强防水作用。酒类、易拉罐类、矿泉水类、各种饮料类、布匹等产品的整件集合包装。

The main components of PE heat shrinkable film is polyethylene, its chemical properties is stable, not easy ageing, easy degradation, with anti puncture, Super strength and high performance, high toughness, impact resistance, good tear resistance features. Packaging the products which piled on the pallet, so that the packaging is more steady, clean and powerful waterproof effect.

Alcoholic beverages, cans, mineral water, beverages, cloth and other products of the whole set packaging.



PE技术参数/Film parameter

宽度 Width	厚度 Thickness	密度 Density	断裂伸长率 Elongation	撕裂强度 Tear Strength		拉伸强度 Tensile Strength		收缩率 Shrink Ratio		热封温度 Heat Sealing Temperature
				横向 Horizontal	纵向 Vertical	横向 Horizontal	纵向 Vertical	横向 Horizontal	纵向 Vertical	
100-5000mm	30-250um	0.93g/cm ³	≥200%	≥40KN/m		≥12Mpa		5-55%	50-80%	160-200°C

POF产品特点/Product Features

环保型POF热收缩膜是双向拉伸聚烯烃收缩膜的简称，它是目前市面上使用最广泛，发展迅速的新型环保收缩膜。具有高透明度、高收缩率、高韧性、高热封性能、抗静电等优点，而且耐寒性优良，安全可靠、质地柔软。食品、化妆品、礼品、药品、文具、玩具、音像制品、电子、木制品、塑胶五金，日用品等各行业产品的外包装和集体式包装。

Environment friendly POF heat shrink film is biaxially oriented polyolefin shrink film for short which is the most widely used in market and rapid development new environmental friendly shrink film. With the advantages of high transparency, high shrinkage rate, high toughness, high heat sealing performance, static electricity resistance, etc., and has the advantages of good cold resistance, soft texture, safety and reliability.

food, cosmetics, gifts, pharmaceuticals, stationery, toys, audio and video products, electronics, wood products, plastic hardware, daily necessities and other industries of the product external packaging and collective packaging.



POF技术参数/Film parameter

厚度 Thickness	密度 Density	克重 Weight	摩擦系数 Coefficient of Friction	度 Degree	包装面积 Packing area	断裂伸长率 Elongation	拉伸强度 Tensile Strength	收缩率 Shrink Ratio	热封温度 Heat Sealing Temperature
15um	0.92 g/cm ³	13.65 g/cm ³	0.2-0.35	2.8%	72 m ² /kg	105%	110Mpa	70%	150-180°C
19um		18.20 g/cm ³		3.0%	54 m ² /kg	100%	105Mpa		
25um		22.75 g/cm ³		3.5%	43 m ² /kg	100%	100Mpa		
30um		27.30 g/cm ³		3.5%	36 m ² /kg	100%	100Mpa		

客户安装现场/Customer installation site



应用领域/Application Area



塑料制品
Plastics



饮料行业
Beverage



印刷行业
Printings



文化用品
Stationery



食品领域
Food



纸箱领域
Cartoon box